

**FLUSHMATE®**

# Pro Pocket Guide

A resource for Flushmate equipped toilets,  
replacement systems, parts, tools, and accessories.



# Contents

- 4 Flushmate® Systems
- 5 Flushmate Equipped Toilet Specifications
- 6 504 Toilets
- 10 503H Toilets
- 12 503 Toilets
- 14 I-Flush™
- 16 Flushmate Replacement Systems
- 18 Replacement Parts
- 20 Tools
- 21 Upgrade Kits
- 22 Handle Replacement Kit
- 24 Handle Replacement Kit Instructions
- 29 Actuator Adjustments
- 30 Cartridge Adjustments



**Whether specifying new toilets with Flushmate® Systems or locating replacement vessels or parts, this guide provides the complete list of brands and models that offer Flushmate pressure-assisted technology.**

## Every drop counts

Leading toilet brands around the world are powered by Flushmate pressure-assisted technology for single flush performance and water-savings.



### 20% less water

Flushmate models can consume 20% to 38% less water than 1.6 gpf gravity toilets on average.



### Fewer double flushes

70 gallon per minute peak flow of Flushmate pressure-assisted technology clears the bowl on the first flush.



### Water savings for life

The flush volume will never decrease which means water savings are sustained for the life of the fixture.

### IMPORTANT

Only the toilet models listed in this guide are compatible with Flushmate Systems. See pages 6-13 for all current toilets manufactured to include Flushmate pressure-assisted technology.

# Flushmate® Systems

Flushmate pressure-assisted toilets effectively eliminate waste and conserve water through an innovative flushing technology that outperforms traditional gravity toilets. There are three options to choose from, defined by flush volume (water consumption):

## Flushmate IV 504 Series



### 1.0 gpf 1 & 2 piece

Compatible toilet types

#### UHET

- Ultra-high-efficiency toilet
- Most water conserving
- WaterSense certified



## Flushmate III 503H Series



### 1.28 gpf 2 piece

Compatible toilet type

#### HET

- High-efficiency toilet
- Water conserving
- WaterSense certified

*The 503H Series is a Flushmate III 503 series systems that uses 1.28 gpf.*



## Flushmate III 503 Series



### 1.6 gpf 1 & 2 piece

Compatible toilet types

- Out performs older models
- For environments with limited water pressure

# Flushmate® Equipped Toilet Specifications

If the new toilet will be replacing an existing one, several key specifications – mounting and outlet, rough-in dimension, and bowl shape – are included in this guide to make selection easy.



2 pc. - Two-piece



1 pc. - One-piece



Rough-in

10", 12", 14"



E - Elongated Bowl



R - Round Bowl



RR - Raised Rim

17-19"



Floor  
Floor Mount  
Floor Outlet



Floor/Rear  
Floor Mount  
Rear Outlet



Wall/Rear  
Wall Mount  
Rear Outlet

**Commercial** A 10-story office building with 1,000 occupants could save 1.2 million gallons of water and up to \$10,000 per year by switching to WaterSense toilets.

**Residential** The average family can reduce water used for toilets by 20 to 60 percent by switching to WaterSense models.

*Information courtesy of the EPA. For more information, visit: [epa.gov/watersense](http://epa.gov/watersense)*

# 504

## Flushmate® Equipped Toilets

Flushmate 504 Series / 1.0 gpf



### Bowl Shape

- E** Elongated Bowl
- R** Round Bowl
- RR** Raised Rim

### Mounting/Outlet

- Floor** Floor Mount, Floor Outlet
- Floor/Rear** Floor Mount, Rear Outlet
- Wall/Rear** Wall Mount, Rear Outlet

Brand	Model Name	Model	Tank #	Bowl #	Rough-in	Type	Bowl	Mount/Outlet	ADA
Contrac	Chane	5721BOY	5721BOY	5722BMY	Rear	2 pc.	E, RR	Floor/Rear	♿
Contrac	Cleo	5722BOY	5721BOY	5722BOY	12"	2 pc.	E, RR	Floor	♿
Winfield		PAT 155-100	PAK100	PAB155	12"	2 pc.	E	Floor	
Winfield		PAT 165-100	PAK100	PAB165	12"	2 pc.	E, RR	Floor	♿
Corona	Cyclone Ultra	2707	14763	12271	12"	2 pc.	E, RR	Floor	♿
Corona	Powermax	20801001	E21801005	E20801005	12"	1 pc.	E	Floor	
Corona	Prestigio	31636			12"	1 pc.	E	Floor	
Exergis	Acquamenos	N2310RB	N2310T	N2310RB		2 pc.	R	Floor	
Kohler	Barrington Pressure Lite	K-3578	K-4484	K-4305	Rear	2 pc.	E, RR	Floor/Rear	♿
Kohler	Highline Pressure Lite	K-3519	K-4484	K-4304	12"	2 pc.	E, RR	Floor	♿
Kohler	San Raphael Comfort Height Pressure Lite	K-3597			12"	1 pc.	E, RR	Floor	♿
Kohler	Wellworth Pressure Lite	K-3531	K-4484	K-4303	12"	2 pc.	E	Floor	
Koohoo	T-3051					2 pc.	E	Floor	
Koohoo	T-3052C					1 pc.	E	Floor	
Mansfield	Prestigio 4	704	153		12"	2 pc.	E	Floor	
Mansfield	QuantumOne	144-153	153	144	Wall	2 pc.	E	Wall/Rear	
Mansfield	QuantumOne	146-153	153	146	12"	2 pc.	R	Floor	
Mansfield	QuantumOne	147-153	153	147	12"	2 pc.	E	Floor	
Mansfield	QuantumOne	149-153	153	149	Rear	2 pc.	E	Floor/Rear	
Mansfield	Quantum Smart Height	148-153	153	148	12"	2 pc.	E, RR	Floor	
Peerless Pottery	Predator	1-606	1	606	12"	2 pc.	E	Floor	
Peerless Pottery	Predator	1-608	1	608	12"	2 pc.	E, RR	Floor	♿
Seasons	Hawthorne	564854/564856	564854	564856	12"	2 pc.	E, RR	Floor	♿
Seasons	Hawthorne	564854/564814	564854	564814	Rear	2 pc.	E, RR	Floor/Rear	♿
Sloan	Sloan	WETS-8009.8016	2108016	2108009	12"	2 pc.	E	Floor	
Sloan	Sloan	WETS-8029.8016	2108016	2108029	12"	2 pc.	E, RR	Floor	♿
Western Pottery	Wrangler One	B422PF-1			12"	2 pc.	R	Floor	
Western Pottery	Wrangler One	B432PF-1			12"	2 pc.	E	Floor	
Western Pottery	Wrangler One	B472PF-1			12"	2 pc.	E, RR	Floor	♿

### IMPORTANT

Gravity-fed toilets cannot be retrofitted with a Flushmate® System.



# 503H Flushmate® Equipped Toilets

Flushmate 503H Series / 1.28 gpf



### Bowl Shape

- E** Elongated Bowl
- R** Round Bowl
- RR** Raised Rim

### Mounting/Outlet

- Floor** Floor Mount, Floor Outlet
- Floor/Rear** Floor Mount, Rear Outlet
- Wall/Rear** Wall Mount, Rear Outlet

Brand	Model Name	Model	Tank #	Bowl #	Rough-in	Type	Bowl	Mount/Outlet	ADA
Gerber	Ultra Flush	HE-21-300	HE-28-385	HE-21-342	10"	2 pc.	R	Floor	
Gerber	Ultra Flush	HE-21-302	HE-28-380	HE-21-342	12"	2 pc.	R	Floor	
Gerber	Ultra Flush	HE-21-304	HE-28-384	HE-21-342	14"	2 pc.	R	Floor	
Gerber	Ultra Flush	HE-21-310	HE-28-380	HE-21-374	Rear	2 pc.	E	Floor/Rear	
Gerber	Ultra Flush	HE-21-311	HE-28-385	HE-21-372	10"	2 pc.	E	Floor	
Gerber	Ultra Flush	HE-21-312	HE-28-380	HE-21-372	12"	2 pc.	E	Floor	
Gerber	Ultra Flush	HE-21-314	HE-28-384	HE-21-372	14"	2 pc.	E	Floor	
Gerber	Ultra Flush	HE-21-317	HE-28-385	HE-21-377	10"	2 pc.	E, RR	Floor	♿
Gerber	Ultra Flush	HE-21-318	HE-28-380	HE-21-377	12"	2 pc.	E, RR	Floor	♿
Gerber	Ultra Flush	HE-21-324	HE-28-384	HE-21-377	14"	2 pc.	E, RR	Floor	♿
Gerber	Ultra Flush	HE-21-325	HE-28-380	HE-21-375	Rear	2 pc.	E, RR	Floor/Rear	♿
Lamosa	Tornado	3138-3471	3471-V	3138-V	12"	2 pc.	E	Floor	
Lamosa	Tornado ADA	3134-3471	3471-V	3134-V	12"	2 pc.	E, RR	Floor	♿
Mansfield	Quantum 1.28	144-155	155	144	Wall	2 pc.	E	Wall/Rear	
Mansfield	Quantum 1.28	146-155	155	146	12"	2 pc.	R	Floor	
Mansfield	Quantum 1.28	147-155	155	147	12"	2 pc.	E	Floor	
Mansfield	Quantum 1.28	149-155	155	149	Rear	2 pc.	E	Floor/Rear	
Mansfield	Quantum 1.28 Smart Height	148-155	155	148	12"	2 pc.	E, RR	Floor	♿
Sloan	Sloan	WETS-8009.8010	2108010	2108009	12"	2 pc.	E	Floor	
Sloan	Sloan	WETS-8029.8010	2108010	2108029	12"	2 pc.	E, RR	Floor	♿
Vortens	Tornado	3134-3471	3471-V	3134-V	12"	2 pc.	E, RR	Floor	♿
Vortens	Tornado	3138-3471	3471-V	3138-V	12"	2 pc.	E	Floor	
Western Pottery	Wrangler	B422PF-1.28			12"	2 pc.	R	Floor	
Western Pottery	Wrangler	B432PF-1.28			12"	2 pc.	E	Floor	
Western Pottery	Wrangler	B472PF-1.28			12"	2 pc.	E, RR	Floor	♿
Winfield		PAT 165-128	PAK128	PAB165	12"	2 pc.	E, RR	Floor	♿

### IMPORTANT

Gravity-fed toilets cannot be retrofitted with a Flushmate® System.



# 503

## Flushmate® Equipped Toilets

Flushmate 503 Series / 1.6 gpf

Bowl Shape		Mounting/Outlet	
<b>E</b>	Elongated Bowl	<b>Floor</b>	Floor Mount, Floor Outlet
<b>R</b>	Round Bowl	<b>Floor/Rear</b>	Floor Mount, Rear Outlet
<b>RR</b>	Raised Rim	<b>Wall/Rear</b>	Wall Mount, Rear Outlet

Brand	Model Name	Model	Tank #	Bowl #	Rough-in	Type	Bowl	Mount/Outlet	ADA
Gerber	Ultra Flush	21-300	28-385	21-342	10"	2 pc.	R	Floor	
Gerber	Ultra Flush	21-302	28-380	21-342	12"	2 pc.	R	Floor	
Gerber	Ultra Flush	21-304	28-384	21-342	14"	2 pc.	R	Floor	
Gerber	Ultra Flush	21-310	28-380	21-374	Rear	2 pc.	E	Floor/Rear	
Gerber	Ultra Flush	21-311	28-385	21-372	10"	2 pc.	E	Floor	
Gerber	Ultra Flush	21-312	28-380	21-372	12"	2 pc.	E	Floor	
Gerber	Ultra Flush	21-314	28-384	21-372	14"	2 pc.	E	Floor	
Gerber	Ultra Flush	21-317	28-385	21-377	10"	2 pc.	E, RR	Floor	♿
Gerber	Ultra Flush	21-318	28-380	21-377	12"	2 pc.	E, RR	Floor	♿
Gerber	Ultra Flush	21-319	28-380	21-329	12"	2 pc.	E, RR	Floor	♿
Gerber	Ultra Flush	21-324	28-384	21-377	14"	2 pc.	E, RR	Floor	♿
Gerber	Ultra Flush	21-325	28-380	21-375	Rear	2 pc.	E, RR	Floor/Rear	♿
Kohler	Barrington Pressure Lite	K-3554	K-4645	K-4327	Rear	2 pc.	E	Floor/Rear	
Kohler	Highline Pressure Lite	K-3493	K-4645	K-4304	12"	2 pc.	E, RR	Floor	♿
Kohler	Wellworth Pressure Lite	K-3505	K-4645	K-4303	12"	2 pc.	E	Floor	
Mansfield	Quantum	144-123	123	144	Rear	2 pc.	E	Floor/Rear	
Mansfield	Quantum	146-123	123	146	12"	2 pc.	R	Floor	
Mansfield	Quantum	147-123	123	147	12"	2 pc.	E	Floor	
Mansfield	Quantum	149-123	123	149	Rear	2 pc.	E	Floor/Rear	
Mansfield	Quantum Smart Height	148-123	123	148	12"	2 pc.	E, RR	Floor	♿
Orion	Turborion II				12"	2 pc.	E	Floor	
Sloan	Sloan	WETS-8009.8013	2108013	2108009	12"	2 pc.	E	Floor	
Sloan	Sloan	WETS-8029.8013	2108013	2108029	12"	2 pc.	E, RR	Floor	♿

### IMPORTANT

Gravity-fed toilets cannot be retrofitted with a Flushmate® System.



# I-Flush™

I-Flush enables touchless, electronic sensor operation of existing Flushmate® units.



## 1 ON-WALL SENSOR

The wall sensor offers infrared object detection, wave, and 24 hour automatic flush activation providing hygienic, hands-free flushing performance.

## 2 FLUSH MODULE

The flush module attaches to the top of the Flushmate 503, 503H, or 504 Series systems with four screws.



## 3 OVERRIDE BUTTON

Immediate flushing is available with a sleek override button that easily replaces your traditional flush handle.

# Hands-free operations for hygienic convenience.

Introducing I-Flush, a sleek and stylish solution for modern restrooms and the latest innovation in the company's line of pressure-assisted restroom products. Packed with enhancements, the I-Flush offers improved touchless flushing operations to help reduce touch points and the spread of bacteria, helps diminish recurring odors, and highlights the convenience of automatic flushing.

## Design features

- Superior flushing with proven Infrared Object Lock Technology
- Easy to install on-wall sensor system
- Ideal for new 1.0, 1.28, or 1.6 gpf Flushmate systems or retrofitting to select Flushmate models
- Automatic calibration, flush delay (3 or 7 second), and 24-hour flush cycle
- Optional "hand wave only" actuation
- LED indication on detection and when battery is low
- Sealed battery compartment
- Sensor trim available in chrome or white

## Features and benefits

- Battery-activated
- ADA compliant
- Infrared sensor technology ensures a complete flush after each use
- Adjustable sensor settings
- Ideal for applications where physical flushing is a concern
- Helps reduce odors
- 3 year expected battery life
- 1 year limited warranty

## Certifications

ISO9001 Quality System Certified



## I-Flush Automatic Flushing System for 503, 503H, and 504 Series\*

I-Flush on-wall sensor, with chrome trim	K-200101
I-Flush on-wall sensor, with white trim	K-200100
I-Flush, with override button with NO sensor	K-100500

\*Please contact sales@flushmate.com to confirm compatibility with OEM fixture before installation. Visit flushmate.com/resources for complete list.



# Flushmate® Replacement Systems

## 1 Identify Toilet Type

One-piece or two-piece.

## 2 Identify Your Model and Serial Number

The model and serial number are located on the top portion of the label adhered to the top of the Flushmate System. The middle characters (up to 5) in the serial number determine the replacement part needed.

XXXXXX - F3HG3 - XXXX

## 3 Locate your Serial Number

Search the lists below for your serial number. The replacement part number is listed in bold above your serial number.

In example on the right you would replace your model (that has serial number F3HG3) with replacement part M-101526-F3H3

**M-101526-F3H3**  
F3HGR  
F3HG3



## One-piece Toilets

### 504 Series 1.0 gpf

Model: M-102540-F4

#### Replacement Part: M-102540-F4M

Mansfield/Corona Only  
F4M

#### Replacement Part: M-102540-C

C01

### 503 Series 1.6 gpf

Model: M-102540-F3

#### Replacement Part: M-102540-FC

FC  
FC1

#### Replacement Part: M-102540-F3

F03B

**Replacement Part:  
M-102540-F3A**  
American Standard  
F3A

## Two-piece Toilets

### 504 Series 1.0 gpf

Model: M-101526-F4

#### Replacement Part: M-101526-F41

F4L  
F4LR  
F4N  
F41

#### Replacement Part: M-101526-F42

F4B  
F4BR  
F4C  
F4F1  
F4F2  
F4J  
F4M  
F4MP  
F4V  
F4V1  
F4V2  
F4T1  
F4P1  
F42

#### Replacement Part: M-101526-F43

F4K2  
F4KR  
F42  
F43

#### Replacement Part: M-101526-F4ET

F4ET

### 503H Series 1.28 gpf

Model: M-101526-F3

#### Replacement Part: M-101526-F3H1

F3G6  
F3H  
F3H1  
F3HC  
F3HE  
F3HG  
F3HG2  
F3HM  
F3HS

#### Replacement Part: M-101526-F3H3

F3HGR  
F3HG3  
F3H3  
F3HL

### 503 Series 1.6 gpf

Model: M-101526-F31

#### Replacement Part: M-101526-F31

F03  
F3A  
F31A  
F3AR  
F3C  
F3CR  
F3E  
F3ER  
F3G  
F3G2  
F3K1  
F3K2  
F3L  
F3LR  
F3R  
F3M  
F3MP  
F3MR  
F3U  
F3UR  
F3S  
F31  
F34

#### Replacement Part: M-101526-F32

F3K  
F3KR  
F3Z  
F32

#### Replacement Part: M-101526-F33

F3GR  
F3G3

Use the Flushmate® Part Finder for serial numbers not listed or to find compatible replacement parts: [flushmate.com/parts](http://flushmate.com/parts)





# Flushmate® Replacement Parts

## Installation Packs & Parts

1	Duckbill Valve (air inducer), 4 Count Pack	B-108288-4PK
2	Duckbill Valve (air inducer), 24 Count Pack	B-108288-BK
3	Installation Pack, Large Discharge Extension	BP200108-1
4	Installation Pack, 1-Piece Toilet (excluding Kohler)	BP200112-1
5	Installation Pack, Kohler K-3597 only	BP200112-2
6	Installation Pack, Standard Discharge Extension	BP200114-4
7	Actuator with Set Screw	C-218221-1
8	Convex Push Button	DP400999-1
9	Tank to Bowl Gasket	E-205288
10	Tank to Bowl Bolts (2 bolts per pack)	E-300022
11	Tank to Bowl Bolts (3 bolts per pack)	E-300023
12	Upper Supply Valve for all Flushmate Systems	BU100505-KIT

## Actuation Kits & Parts

13	<b>Universal Handle Replacement Kit for Flushmate III - 503 Series</b>	
	With Chrome Handle	AP300503
	With Satin Nickel Handle	AP300503-SN
	With Polished Brass Handle	AP300503-PB
	With Polished Nickel Handle	AP300503-PN
14	<b>Universal Handle Replacement Kit for Flushmate IV - 504 Series</b>	
	With Chrome Handle	AP400504
	With Satin Nickel Handle	AP400504-SN
	With Polished Brass Handle	AP400504-PB
	With Polished Nickel Handle	AP400504-PN
15	Actuation Rod Kit for Gerber Tank 21-012, Left Hand	AR300308-L3
16	Actuation Rod Kit for Kohler Tank K-3597, Left Hand	AR300309-L4C
17	Satin Nickel Handle Kit (handle only)	D-400602-2KIT
18	Polished Nickel Handle Kit (handle only)	D-400602-3KIT
19	Polished Brass Handle Kit (handle only)	D-400602-4KIT
20	Chrome Handle Kit (handle only)	D-400602-KIT

## Cartridge Assembly

21	Cartridge Kit for Flushmate III - 503 Series, 1.6 gpf and Flushmate IV - 504 Series, 1.0 gpf	C-100500-KIT
22	Cartridge Kit for Flushmate III - 503H Series, 1.28 gpf	C-100501-KIT
23	Cartridge Kit for Flushmate IV - 504 Series, 1.0 gpf, Model M-102540-C	C-100502-KIT
24	Actuator with Set Screw	C-218221-1



Use the Flushmate® Part Finder for serial numbers not listed or to find compatible replacement parts: [flushmate.com/parts](https://flushmate.com/parts)

# Upgrade Kits

Switching to Flushmate® is simple. We've made it easy to replace other pressure-assisted brands to the Flushmate 1.6 gpf or 1.28 gpf systems.

Visit [flushmate.com/products/upgrade-kits](https://flushmate.com/products/upgrade-kits) for complete list of replacement models.



**Flushmate III 503 Series Kit**  
**# M-101526-F31K (1.6 gpf)**

Replaces

**Gerber PF/2 Energizer 150-403 1.6 gpf**

Fits these toilet models

BRAND	MODELS
American Standard	4142016
Crane	3612
Eljer	141-7000
Zurn	EcoVantage
Peerless	Peerless 1



**Flushmate III 503H Series**  
**Kit # M-101526-F3H1K (1.28 gpf)**

Replaces

**WDI EcoFlush 1.1/1.6 gpf**

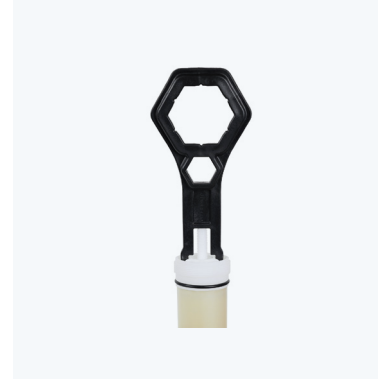
Fits these toilet models

BRAND	MODELS
Zurn	EcoVantage
American Standard	4142100
Crane	31612
Gerber	DF28-380
Mansfield	119
Zurn	1.1 gpf pressure-assisted tank



# Tools

We have the right tools for the job.



Flushmate® 3-in-1 Discharge  
 Nut Wrench  
 ST100100



Cartridge Wrench  
 ST100500



Installation Tool Kit for Flushmate  
 System Maintenance  
 ST300500

Use the Flushmate Part Finder for serial numbers not listed or to find compatible replacement parts:  
[flushmate.com/parts](https://flushmate.com/parts)

# Flushmate Upgrade Kit

## One-kit Wonder

Replace your pressure-assisted system with Flushmate®.



### Complete Flushmate System

Includes the Flushmate III, 1.6 gpf system for two-piece toilets.



### Universal handle replacement

The new universal handle is designed for mounting on either left-handle or right-handle toilets.



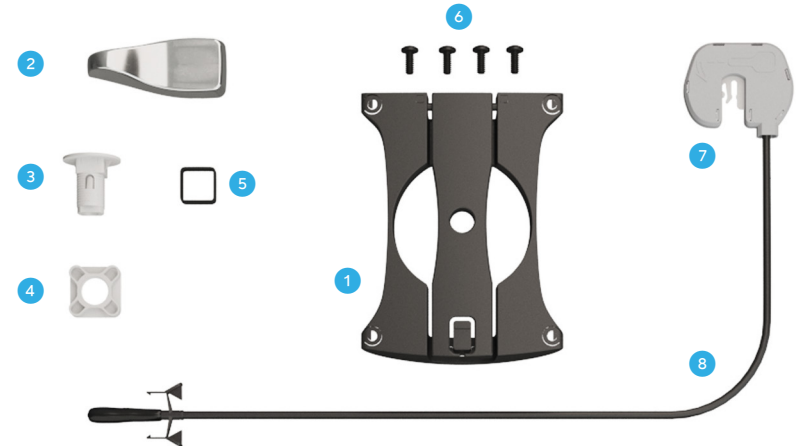
### Nuts and bolts

Kit includes locknuts, gaskets, and necessary tools.



## Kit Includes

1. Frame and Lever
2. Handle
3. Bushing
4. Nut
5. Spacer
6. Screws (4)
7. Cassette
8. Cable with Barrel End and Disposable Cap



## Prior to Installation

Before removing existing handle, note its orientation. The new handle should be installed facing the same direction.

If you have a flush rod, clips, and screws, remove them before you start. Be careful not to drop parts into the tank.

The existing and new nut provided are left-hand thread (clockwise to loosen and counter-clockwise to tighten).

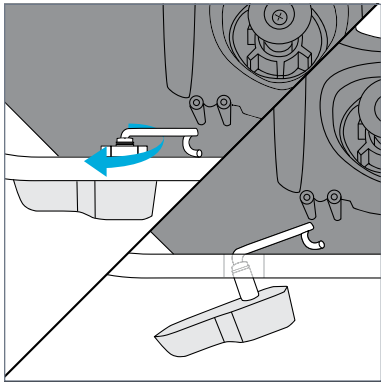


### Tools Needed

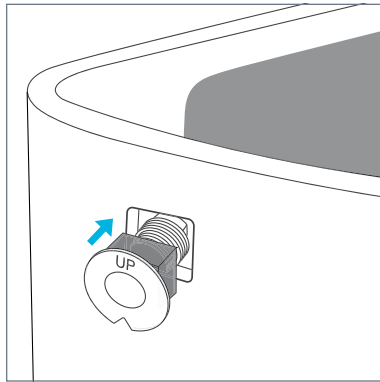
No. 2 Phillips screwdriver, pliers

# Handle Replacement Kit Instructions

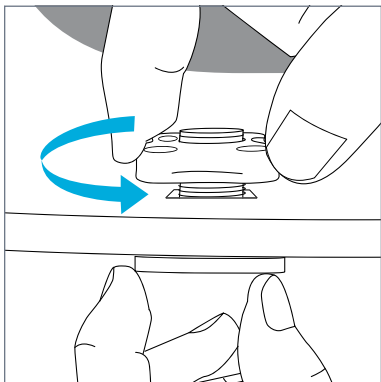
Visit [flushmate.com/resources](https://flushmate.com/resources) for handle replacement video



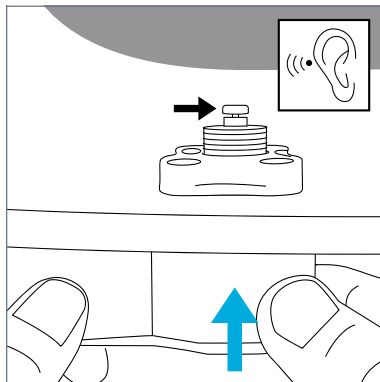
**1** To remove handle, loosen nut (inside tank). It is reverse thread. Pliers may be needed. Guide handle through opening to completely remove.



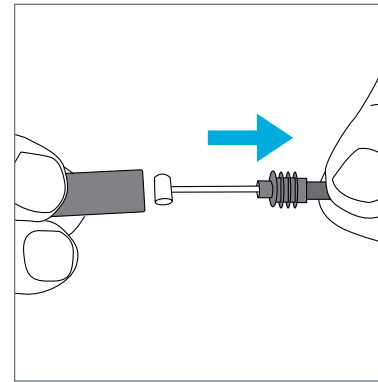
**2** Place black spacer on bushing. Orient and insert as shown. If bushing does not fit, remove the black spacer and re-insert bushing.



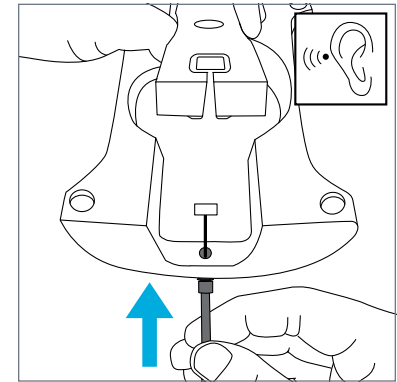
**3** Hand tighten nut snug around bushing (counter-clockwise).



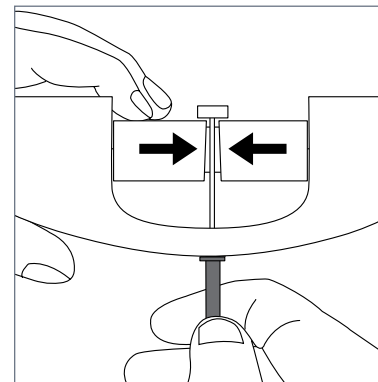
**4** Orient new handle in same direction as original. Insert until stem extends past bushing, as shown. You will hear/feel it click into place.



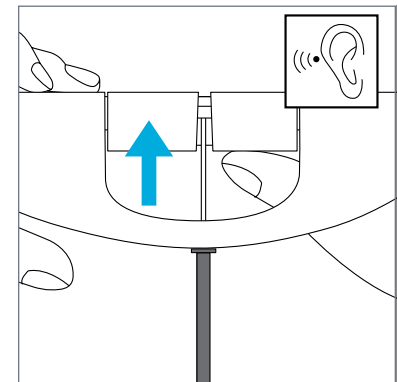
**5** Gently remove disposable cap from barrel end of cable and discard.



**6** Lift lever and push barrel end of cable up through hole on underside of frame until it clicks into place.



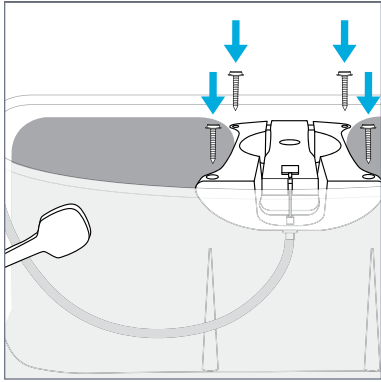
**7** Guide cable end into lever slot.



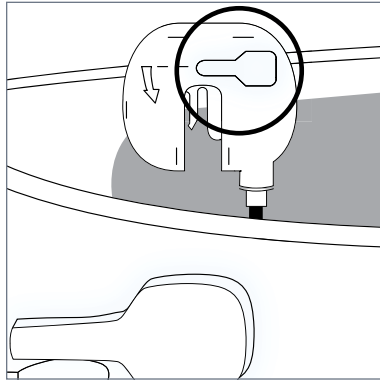
**8** Raise lever to seat white barrel into catch (you will hear it click).

Continue →

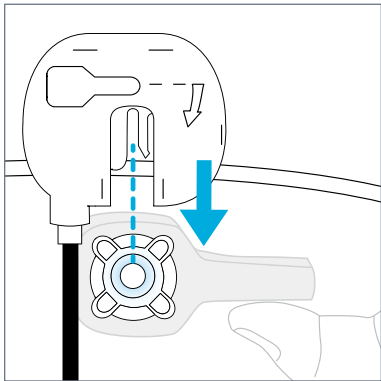
# Handle Replacement Kit Instructions



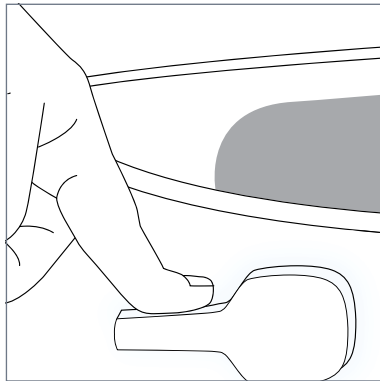
- 9** Position the frame and lever with cable facing the front of the toilet tank (rest cassette on side of tank). Secure with (4) screws.



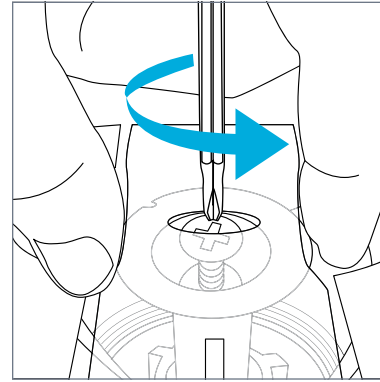
- 10** Match handle icon (circled) on cassette to direction of actual handle, and lift handle to horizontal position.



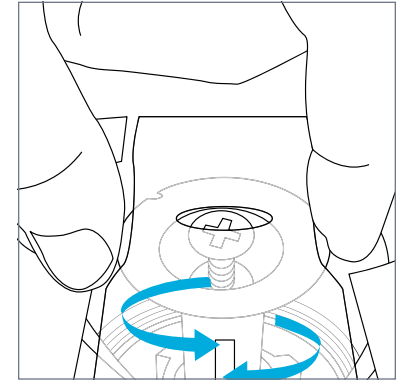
- 11** Maintain alignment of cassette, and guide it down over protruding stem until it clicks into place. (Protruding stem is shown in step 4.)



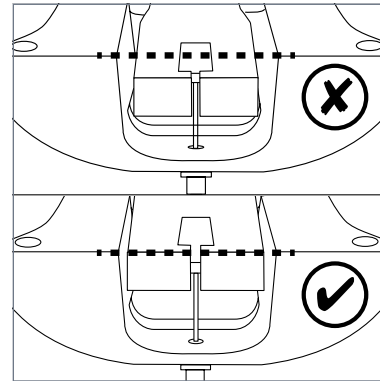
- 12** Gently push handle to test movement. If it doesn't move properly, parts may be installed in the wrong orientation and you should verify that steps 2, 4, and 10 were completed correctly.



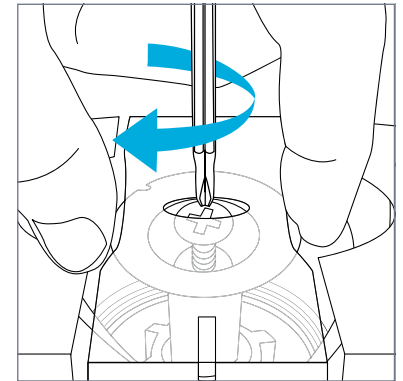
- 13** To begin lever alignment, hold actuator in place and loosen (but do not remove) set screw.



- 14** Adjust actuator height. Turn UP (counter-clockwise) or DOWN (clockwise) to align lever and frame (see step 15).



- 15** Proper alignment of lever and frame is shown above.



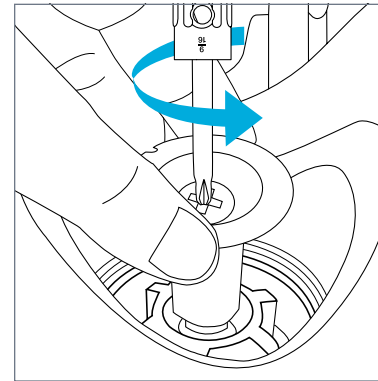
- 16** Once properly aligned, hold actuator in place and tighten set screw to secure. Place toilet lid on toilet tank.  
**Installation complete**

## Common Adjustments

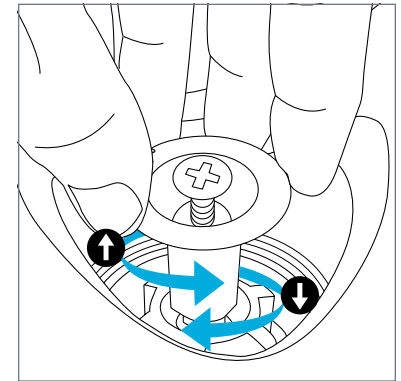
Most troubleshooting issues can be resolved by common system adjustments of either the cartridge or the actuator.

**Please review the following pages for step-by-step instructions.**

## Actuator Adjustments



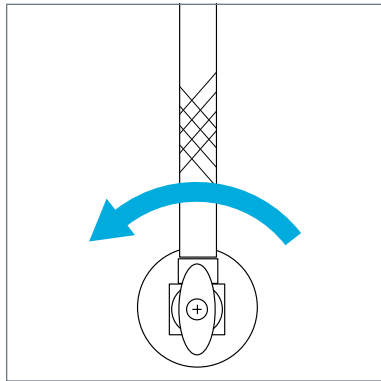
- 1** Hold actuator in place. Use 4-in-1 tool to loosen set screw by turning counter-clockwise, approximately 4 rotations. Do not remove set screw.



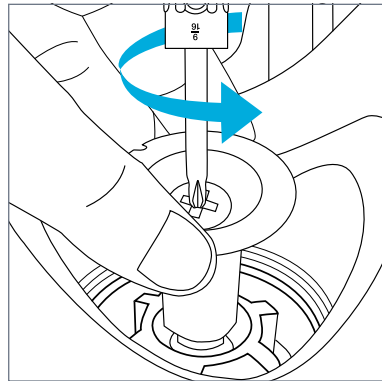
- 2** Adjust actuator UP (counter-clockwise) if there is too much travel in push button, or if toilet does not flush completely. Adjust actuator DOWN (clockwise) if there is not enough travel in push button, or if toilet runs for more than 1 minute.

**Adjustment complete**

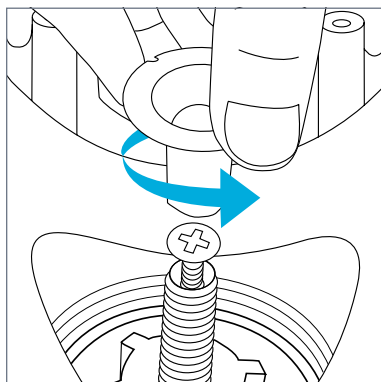
# Cartridge Adjustments



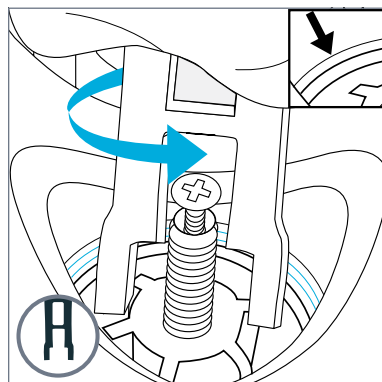
**1** Make sure water supply stop is completely OPEN.



**2** Hold actuator in place. Use 4-in-1 tool to loosen set screw by turning counter-clockwise, approximately 4 rotations. Do not remove set screw. Toilet may flush during this step.

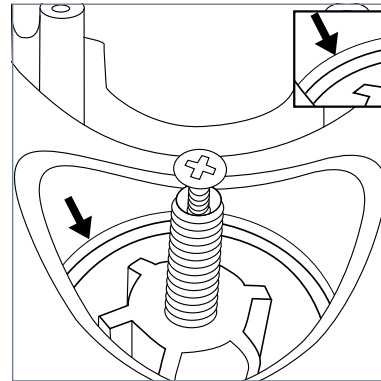


**3** Unscrew and remove actuator. Set aside to reinstall. Leave set screw in place.

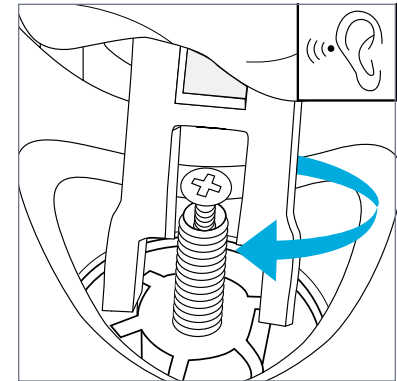


**4** Use end of 3-in-1 wrench to turn flush valve cartridge counter-clockwise until only 1 black thread of the vessel is showing.

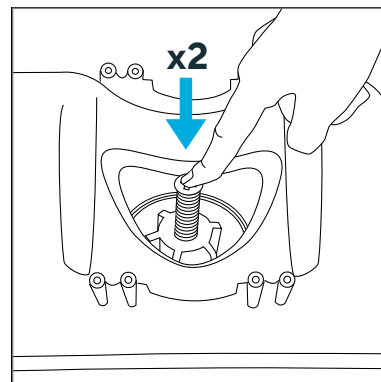
 Visit [flushmate.com/resources](https://flushmate.com/resources) for cartridge adjustment video
 



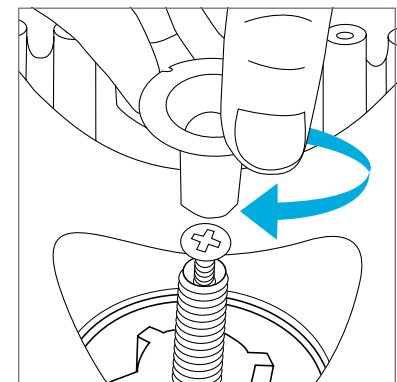
**5** After you complete raising the flush valve cartridge, confirm only 1 black thread of the vessel is showing.



**6** Turn flush valve cartridge clockwise  $\frac{1}{4}$  turn. Listen for the water to stop running. If necessary, continue making  $\frac{1}{4}$  turns, waiting 30 seconds between each turn, until water stops running.



**7** Flush toilet twice, waiting 1 minute between flushes to test. Does the water stop running?  
**YES** → Continue to step 8  
**NO** → Repeat steps 4-7



**8** Reinstall actuator. After 2 unsuccessful attempts, contact Flushmate at 800.533.3460.  
**Adjustment complete**

## Visit Our Website

Most questions can be quickly answered on the Flushmate® website – download technical documents, watch instructional videos, and order replacement parts.

[flushmate.com](https://flushmate.com)

## Where to Buy

[flushmate.com/distributors](https://flushmate.com/distributors)

## Installation Videos

Find helpful instructional videos on the Product Support section of our website:

[flushmate.com/resources](https://flushmate.com/resources)

## Flushmate Part Finder

The part finder helps to find replacement parts for your Flushmate system.

[flushmate.com/parts](https://flushmate.com/parts)

## Technical and Product Support

For information please email us at:

[info@flushmate.com](mailto:info@flushmate.com)

Customer Support hours are Monday through Friday  
9:00 AM - 5:00 PM EST  
800.533.3460

# FLUSHMATE®

30075 Research Drive  
New Hudson, MI 48165  
800.533.3460  
[flushmate.com](https://flushmate.com)

