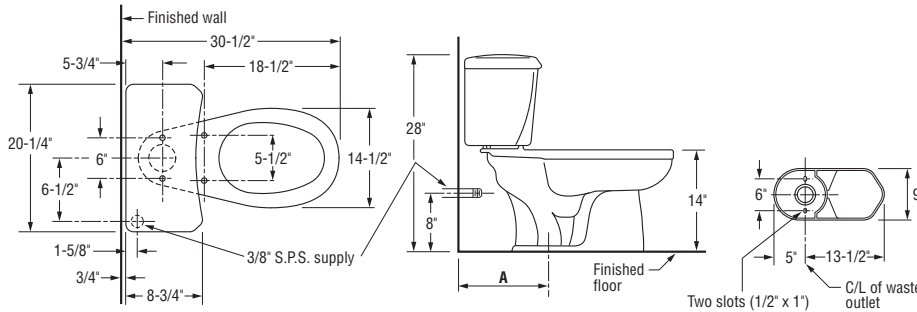


# Pressure Assisted Water Closet equipped with *FLUSHMATE*<sup>®</sup>

# GERBER

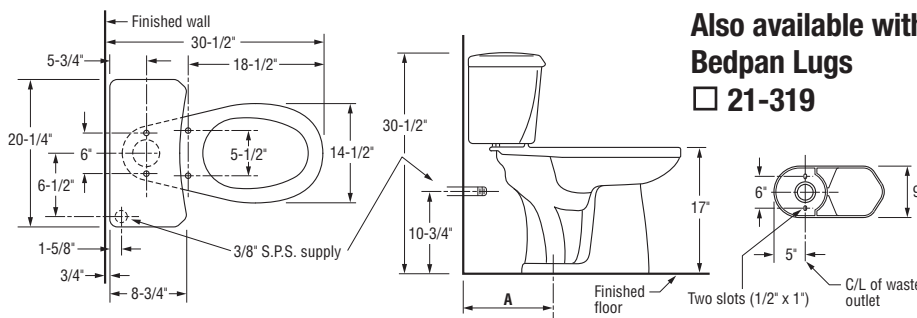
Vitreous china, pressure-assisted siphon jet flush action with *FLUSHMATE III*<sup>®</sup> flushometer tank system, front tank lever (also available with right-hand tank lever). Flushes on 1.6 gpf/6 Lpf. Minimum water supply pressure 20 psi static.

## ULTRA FLUSH Elongated Front Toilet



- 21-312
  - 21-372 Bowl
  - 28-380 Tank (A=12" Rough-In)
- 21-311
  - 21-372 Bowl
  - 28-385 Tank (A=10" Rough-In)
- 21-314
  - 21-372 Bowl
  - 28-384 Tank (A=14" Rough-In)

## ULTRA FLUSH Handicap Elongated Toilet

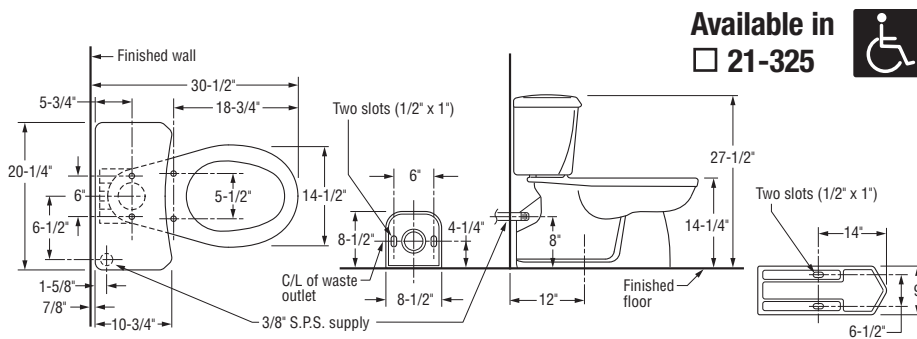


Also available with  
**Bedpan Lugs**  
 21-319

- 21-318
  - 21-377 Bowl
  - 28-380 Tank (A=12" Rough-In)
- 21-317
  - 21-377 Bowl
  - 28-385 Tank (A=10" Rough-In)
- 21-324
  - 21-377 Bowl
  - 28-384 Tank (A=14" Rough-In)



## ULTRA FLUSH Elongated Back Outlet Toilet



Available in  
 21-325

- 21-310
  - 21-374 Bowl
  - 28-380 Tank



### To Be Specified:

- Color:
- Seat:
- Supply with Stop:
- Right Hand Tank Lever (Suffix-97)

This space for Architect/Engineer approval.



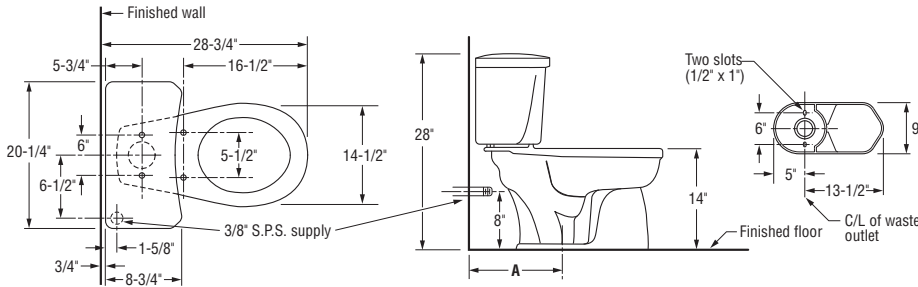
Sloan *FLUSHMATE*<sup>®</sup> • 30075 Research Drive • New Hudson, MI 48165  
Ph: (800) 875-9116 • Fax: (847) 671-3922 • Web: [www.flushmate.com](http://www.flushmate.com)

# Pressure Assisted Water Closet equipped with *FLUSHMATE*<sup>®</sup>

# GERBER

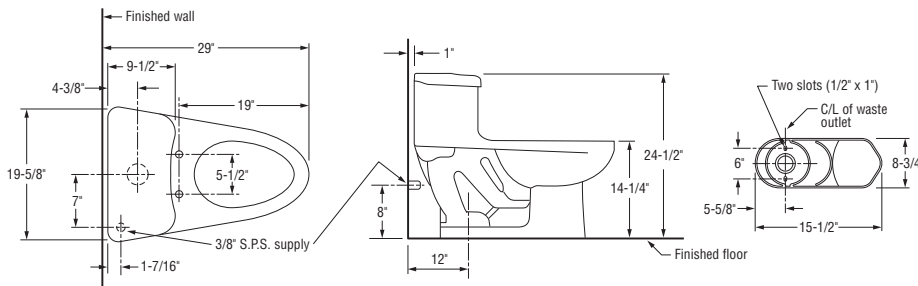
Vitreous china, pressure-assisted siphon jet flush action with *FLUSHMATE III*<sup>®</sup> flushometer tank system, front tank lever (also available with right-hand tank lever). Flushes on 1.6 gpf/6 Lpf. Minimum water supply pressure 20 psi static.

## ULTRA FLUSH Round Front Toilet



- 21-302
  - 21-342 Bowl
  - 28-380 Tank (A=12" Rough-In)
- 21-300
  - 21-342 Bowl
  - 28-385 Tank (A=10" Rough-In)
- 21-304
  - 21-342 Bowl
  - 28-384 Tank (A=14" Rough-In)

## MAURICE™ One Piece Toilet



- 21-012

### To Be Specified:

- Color:
- Seat:
- Supply with Stop:
- Right Hand Tank Lever (Suffix-97)

This space for Architect/Engineer approval.



Sloan *FLUSHMATE*<sup>®</sup> • 30075 Research Drive • New Hudson, MI 48165  
Ph: (800) 875-9116 • Fax: (847) 671-3922 • Web: [www.flushmate.com](http://www.flushmate.com)