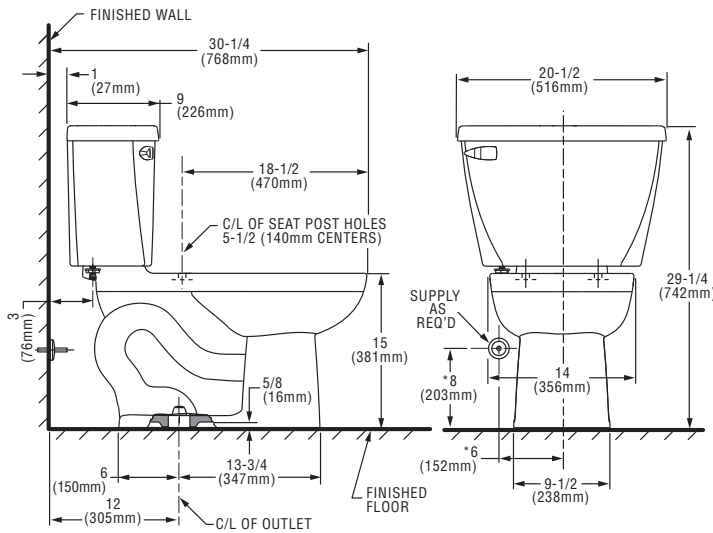


Pressure Assisted (PA) Water Closet equipped with *FLUSHMATE*[®]

American Standard

Vitreous china, pressure-assisted siphon jet flush action with Speed Connect™ coupling system close-coupled *FLUSHMATE*[®] flushometer tank system, fully-glazed trapway, 10" x 12" water surface area, bolt caps, flushes on 1.6 gpf/6 Lpf. Minimum water supply pressure 20 psi static. Toilets have EverClean[®] surface, which inhibits the growth of stain- and odor-causing bacteria, mold, and mildew on the surface.

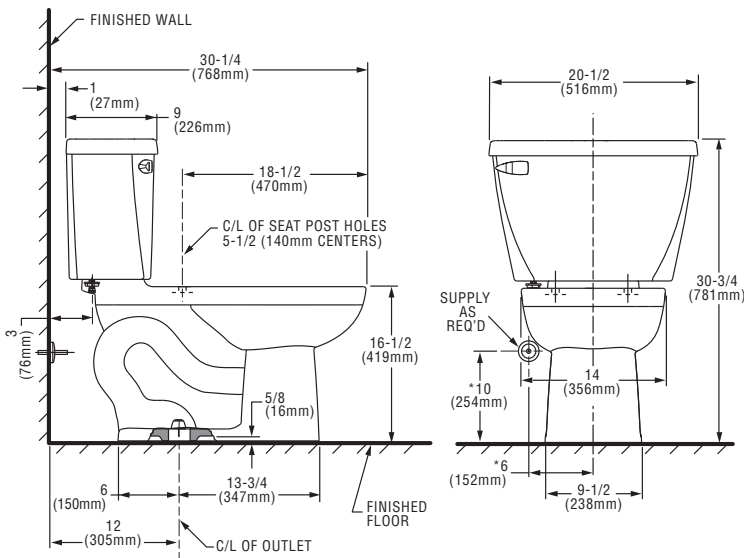
CADET[®] Elongated Front Toilet



2462.016 with Side Trip Lever

- 3481.016 Bowl
- 4142.016 Tank**
- 4142.800 Tank w/ Right hand Trip Lever**
- Seat: American Standard #5324.019 "Rise and Shine" elongated seat w/cover
- Seat: American Standard #5321.110 EverClean[®] seat with Slow Close snap-off hinges.

CADET[®] 16 1/2" Elongated Toilet, Barrier Free



2467.016 with Side Trip Lever



- 3483.016 Bowl
- 4142.016 Tank**
- 4142.800 Tank w/ Right Hand Trip Lever**
- Seat: American Standard #5324.019 "Rise and Shine" elongated seat w/cover
- Seat: American Standard #5321.110 EverClean[®] seat with Slow Close snap-off hinges.

**Available with tank cover locking device

To Be Specified:

- Color:
- Seat:
- Supply with Stop:

This space for Architect/Engineer approval.

