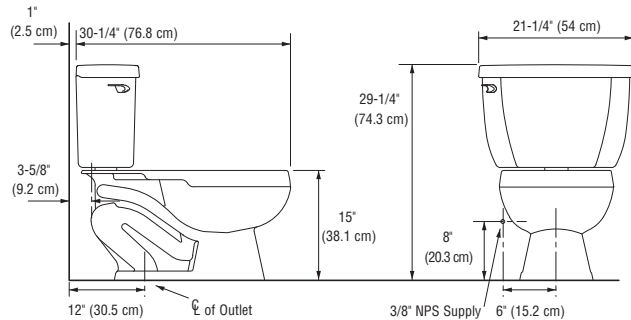


Two-Piece Pressure Lite™ Water Closet Equipped with *FLUSHMATE*® III

KOHLER®

Vitreous china, pressure-assisted siphon jet flush action with three-bolt quick connect tank system, 10" x 12" water surface, 2-1/4" trapway dimension. Also available with tank cover locks, left or right hand trip levers and bedpan lugs. Minimum water supply pressure 20 psi static.

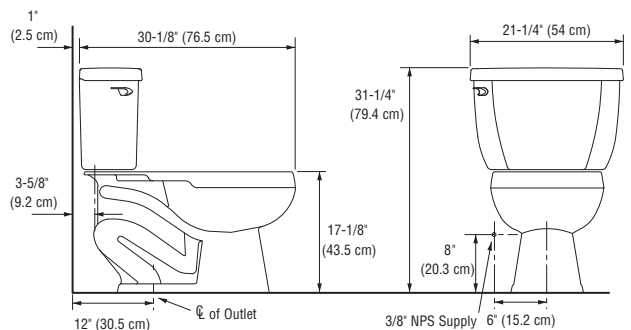
WELLWORTH® PRESSURE LITE™ Elongated Front Toilet 1.4 gpf/5.3 Lpf



K-3505

- K-3505 with Left Hand Trip Lever
 - K-4303 Bowl
 - K-4645 Tank
- K-3458-RA with Right Hand Trip Lever
 - K-4333 Bowl
 - K-4645-RA Tank

HIGHLINE® PRESSURE LITE™ Elongated Front Toilet, ADA Compliant 1.4 gpf/5.3 Lpf

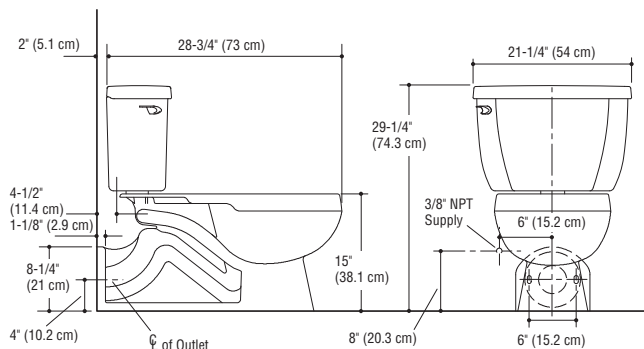


K-3493

- K-3493 with Left Hand Trip Lever
 - K-4304 Bowl
 - K-4645 Tank
- K-3544-RA with Right Hand Trip Lever
 - K-4324 Bowl
 - K-4645-RA Tank



BARRINGTON™ PRESSURE LITE™ Elongated Front Toilet, Rear Outlet 1.4 gpf/5.3 Lpf



K-3554

- K-3554 with Left Hand Trip Lever
 - K-4327 Bowl
 - K-4645 Tank
- K-3554-RA with Right Hand Trip Lever
 - K-4327 Bowl
 - K-4645-RA Tank

To Be Specified:

- Color:
- Seat:
- Supply with Stop:

This space for Architect/Engineer approval.



Sloan *FLUSHMATE*® • 30075 Research Drive • New Hudson, MI 48165
Ph: (800) 875-9116 • Fax: (847) 671-3922 • Web: www.flushmate.com