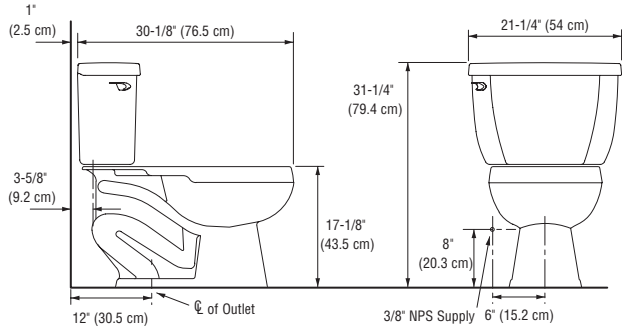




# Pressure Lite™ Two-Piece, High Efficiency **KOHLER** Toilet Equipped with *FLUSHMATE® IV*

Vitreous china, pressure-assisted siphon jet flush action, 10" x 12" water surface, 2-1/4" trapway dimension and 1.0 gpf/3.8 Lpf flush. Also available with tank cover locks, bedpan lugs and left or right hand trip levers.

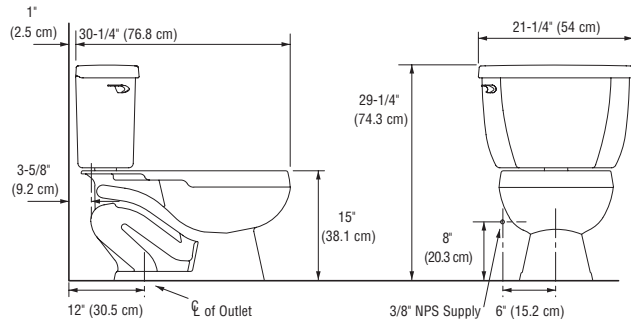
## HIGHLINE™ PRESSURE LITE™ Elongated Front Toilet, ADA Compliant



### K-3519

- K-3493 with Left Hand Trip Lever
  - K-4304 Bowl
  - K-4484 Tank
- K-3519-RA with Right Hand Trip Lever
  - K-4304 Bowl
  - K-4484-RA Tank

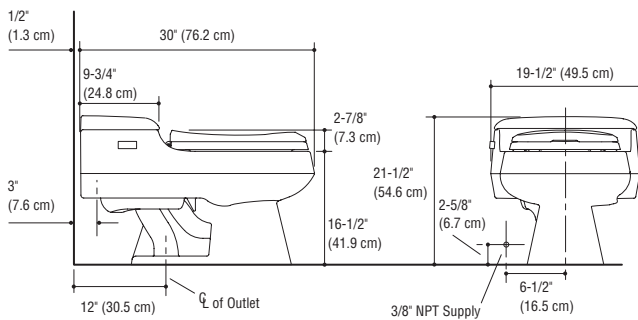
## WELLWORTH™ PRESSURE LITE™ Elongated Front Toilet, Standard Height



### K-3531

- K-3531 with Left Hand Trip Lever
  - K-4303 Bowl
  - K-4484 Tank
- K-3531 with Right Hand Trip Lever
  - K-4303 Bowl
  - K-4484-RA Tank

## SAN RAPHAEL™ COMFORT HEIGHT™ PRESSURE LITE™ One-Piece



### K-3597

- K-3597 with Seat and Cover

#### To Be Specified:

- Color:
- Seat:
- Supply with Stop:

This space for Architect/Engineer approval.



Division of Sloan Valve Company • 10500 Seymour Avenue • Franklin Park, IL 60131  
Ph: (800) 875-9116 • Fax: (800) 447-8329 • Web: www.flushmate.com