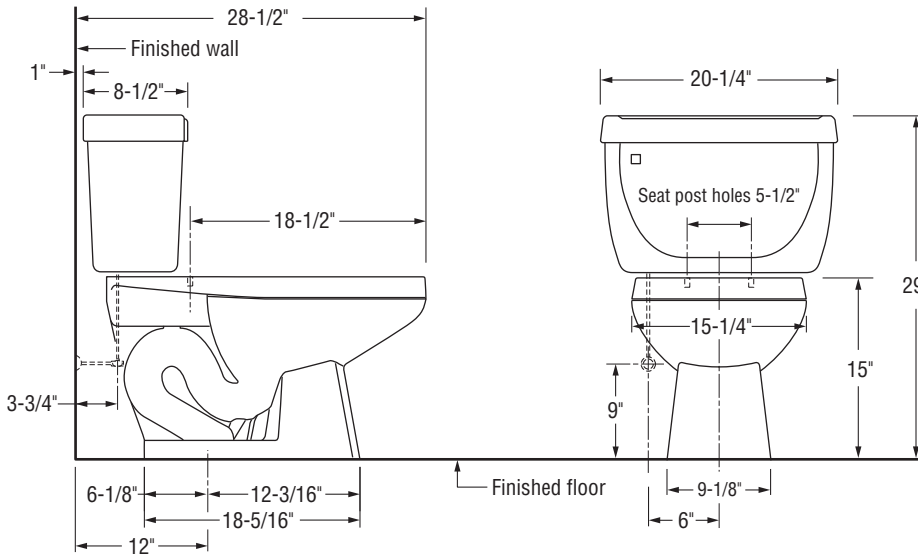


Two-Piece Pressure-Assist Water Closet

High Efficiency Toilet, 1.0 gpf / 4 Lpf or less, vitreous china toilet. Close coupled toilet with bolt caps, left or right-hand tank lever and **FLUSHMATE IV**® flushometer tank operating system. Available in white, bone and balsa. Minimum water supply pressure 35 psi static.

MARINER II™ Elongated Front Toilet



6203.420

- 6203.423 Bowl
- 6203.424 Tank w/left-hand lever

To Be Specified:

- Color:
- Seat:
- Supply with Stop:

This space for Architect/Engineer approval.



Sloan **FLUSHMATE**® • 30075 Research Drive • New Hudson, MI 48165
Ph: (800) 875-9116 • Fax: (847) 671-3922 • Web: www.flushmate.com