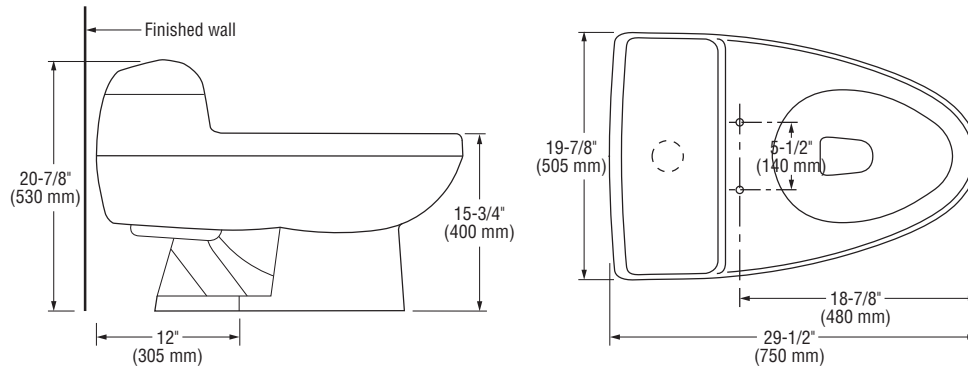


# Pressure-Assisted Water Closet equipped with *FLUSHMATE*<sup>®</sup>

**XINQI**  
MADE IN P.R. CHINA

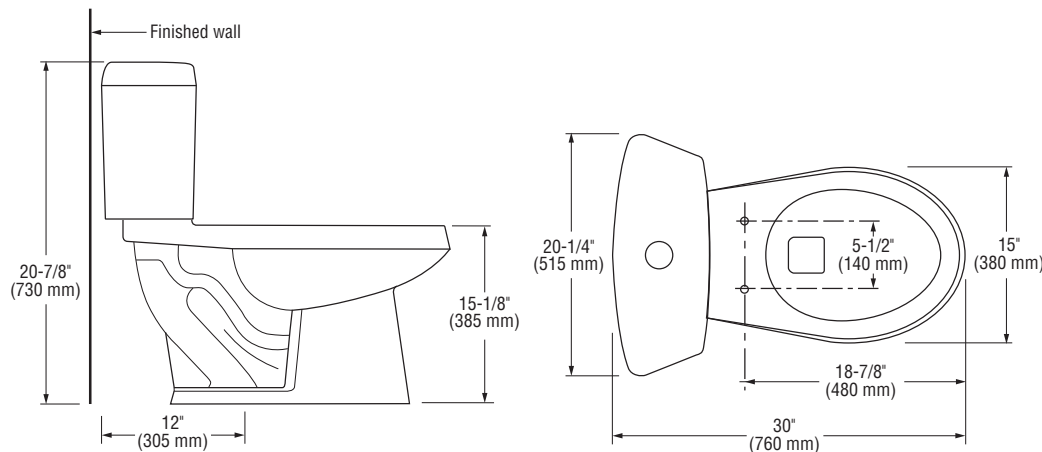
High Efficiency Toilet 1.0 gpf/3.8 Lpf or less, vitreous china. Centered pushbutton in tank lid and *FLUSHMATE IV*<sup>®</sup> Flushometer tank operating system. With bolt caps and seat. Minimum water supply pressure 35 psi static.

## FIONA One-Piece Elongated Front Toilet



**XQ-SPT0502**

## ROY Two-Piece Elongated Front Toilet



**XQ-SPT0504**

**To Be Specified:**

- Color:
- Seat:
- Supply with Stop:

**This space for Architect/Engineer approval.**



Sloan *FLUSHMATE*<sup>®</sup> • 30075 Research Drive • New Hudson, MI 48165  
Ph: (800) 875-9116 • Fax: (847) 671-3922 • Web: [www.flushmate.com](http://www.flushmate.com)