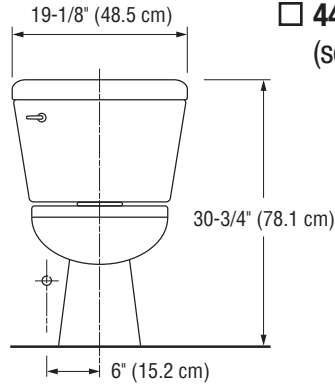
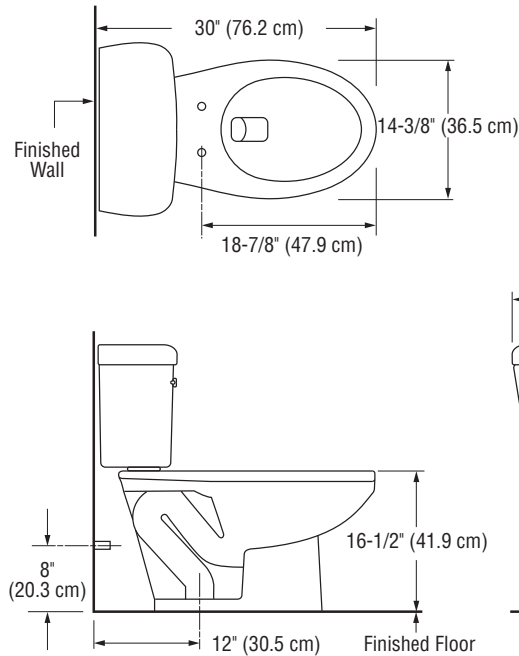


# Pressure-Assisted Water Closet Equipped with *FLUSHMATE*<sup>®</sup>



Vitreous china, less than 1.0 gpf/3.8 Lpf tank and elongated bowl combination, pressure-assisted siphon jet action, close-coupled *FLUSHMATE IV*<sup>®</sup> Flushometer tank system. Chrome plated trip lever, tank fittings and bolt caps included. Available in White, Bone and Biscuit. Optional white seat. Minimum water supply pressure 35 psi static.

## EverGreen Elongated Front Extended Height Toilet



### EverGreen Elongated Front Toilet



- 5065-XXX-0101 Bowl
- 5066-XXX-5280 Tank w/Left Hand Trip Lever
- 5066-XXX-5281 Tank w/Right Hand Trip Lever
- 36-003-002 Toilet Seat (Elongated) (white only)
- 44-XXX-009 Toilet Seat (Elongated) (soft close hinge)

#### To Be Specified:

Toilet Color: (XXX indicates the color)

- White (003)    Bone (017)    Biscuit (068)
- Seat 36-003-002
- Seat 44-XXX-009
- Supply with Stop:

**This space for Architect/Engineer approval.**



Sloan *FLUSHMATE*<sup>®</sup> • 30075 Research Drive • New Hudson, MI 48165  
Ph: (800) 875-9116 • Fax: (847) 671-3922 • Web: [www.flushmate.com](http://www.flushmate.com)