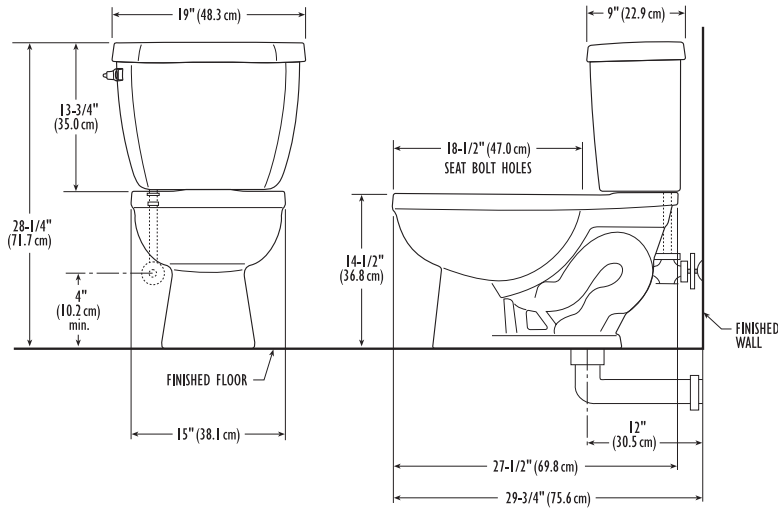


Pressure-Assist Water Closet Equipped with *FLUSHMATE*[®]



TORNADO vitreous china tank and elongated bowl combination, pressure-assisted siphon jet flush action with *FLUSHMATE IV*[®] flushometer tank system that flushes less than 1.0 gallon/3.8 Liters. Tank trimmed with chrome plated flush lever and bolt caps included. Less seat. Minimum water supply pressure 35 psi static.

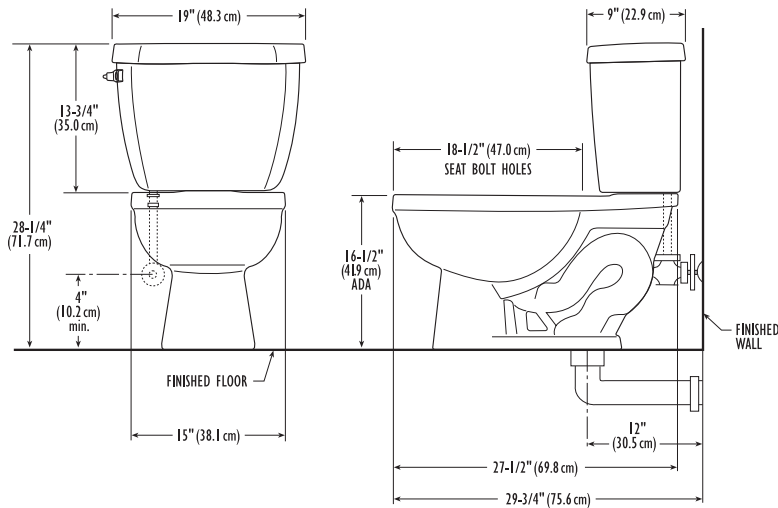
Tornado Elongated Front Toilet



3138-3468

- 3138 Bowl
- 3468 Tank

Tornado ADA Elongated Front Toilet



3134-3468

- 3134 Bowl
- 3468 Tank



To Be Specified:

- Color:
- Seat:
- Supply with Stop:

This space for Architect/Engineer approval.



Sloan *FLUSHMATE*[®] • 30075 Research Drive • New Hudson, MI 48165
Ph: (800) 875-9116 • Fax: (847) 671-3922 • Web: www.flushmate.com