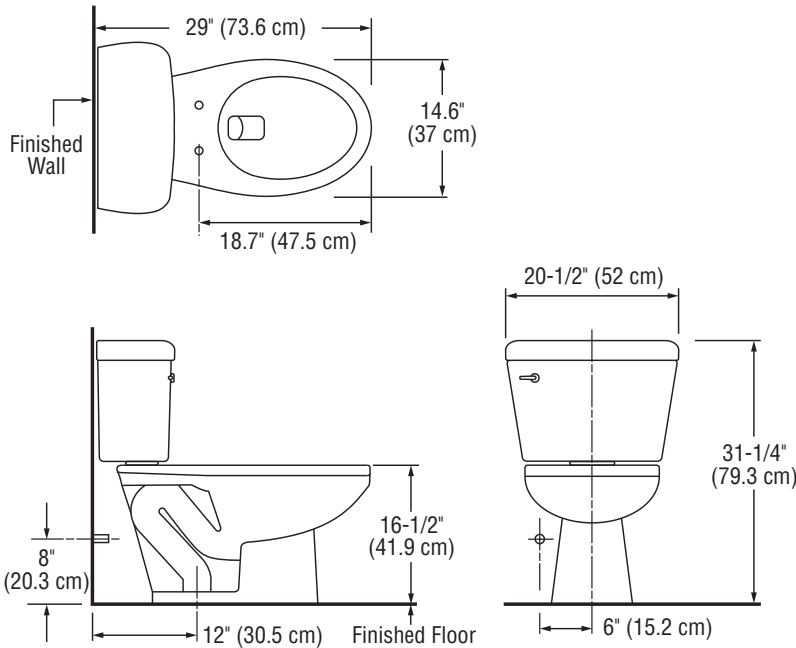


Pressure-Assist Water Closet Equipped with *FLUSHMATE*[®]



NIAGARA vitreous china tank and bowl combination, pressure-assisted with *FLUSHMATE IV*[®] Flushometer tank system that flushes less than 1.0 gallon/3.8 liters. Tank trimmed with chrome plated flush lever and bolt caps included. Less seat. Minimum water supply pressure 25 psi static.

NIAGARA POWER ONE™ Elongated Front ADA Toilet

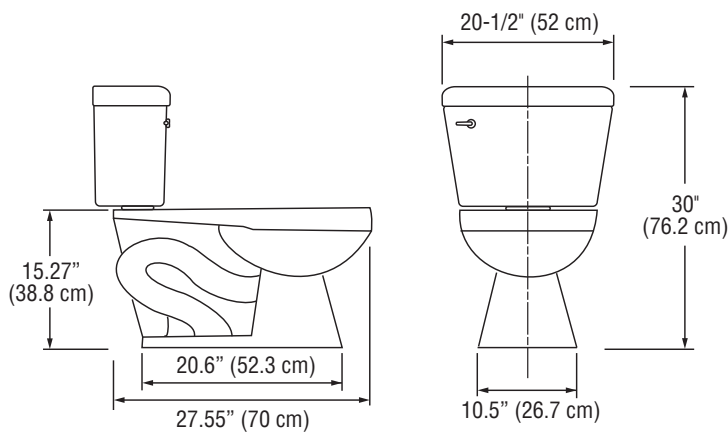


N2310E



- N2310EB** Bowl
- N2310T** Tank

NIAGARA POWER ONE™ Round Front Toilet



N2310RB

- N2310RB** Bowl
- N2310T** Tank

To Be Specified:

- Color:
- Seat:
- Supply with Stop:

This space for Architect/Engineer approval.



Sloan *FLUSHMATE*[®] • 30075 Research Drive • New Hudson, MI 48165
Ph: (800) 875-9116 • Fax: (847) 671-3922 • Web: www.flushmate.com