

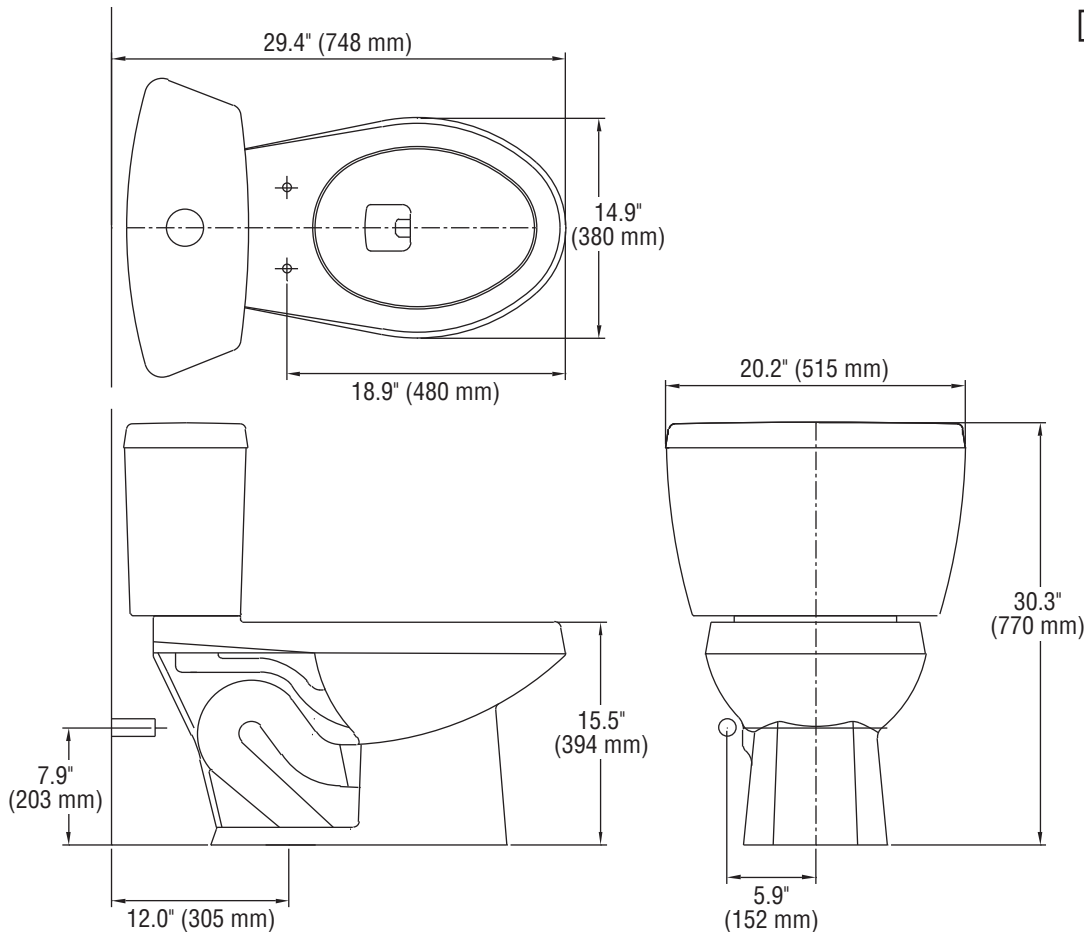
# Pressure-Assist Water Closet Equipped with *FLUSHMATE*®

# HUALI®

Vitreous china tank and elongated bowl combination, pressure assisted with *FLUSHMATE IV*®, flushometer tank system that flushes less than 1.0 gallon/3.8 liters. Tank trimmed with chrome plated flush lever. Minimum water supply pressure 35 psi static.

## 1.0 GPF, Pressure Assisted HET Elongated Toilet

Model HL114



**To Be Specified:**

- Color:
- Seat:
- Supply with Stop:

**This space for Architect/Engineer approval.**



Sloan *FLUSHMATE*® • 30075 Research Drive • New Hudson, MI 48165  
Ph: (800) 875-9116 • Fax: (847) 671-3922 • Web: [www.flushmate.com](http://www.flushmate.com)