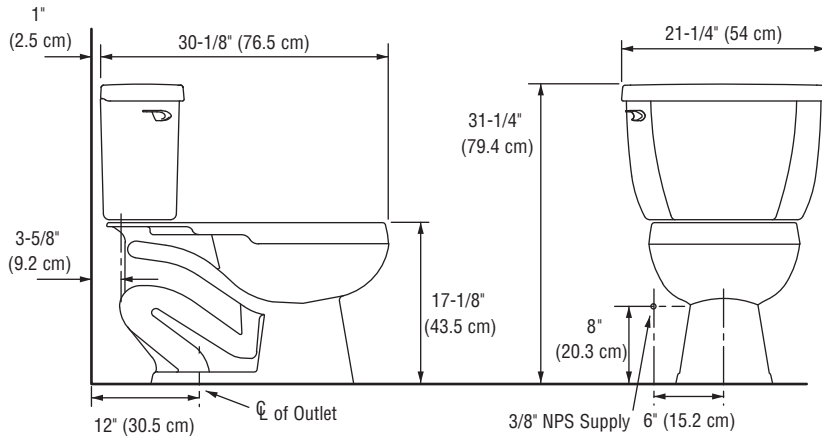


Pressure Lite® High Efficiency Toilet Equipped with *FLUSHMATE® IV*

KOHLER®

Vitreous china, pressure-assisted siphon jet flush action, 10" x 12" water surface, 2-1/4" trapway dimension and 1.0 gpf/3.8 Lpf flush. Also available with tank cover locks, bedpan lugs and left or right hand trip levers. Minimum water supply pressure 35 psi static.

HIGHLINE® PRESSURE LITE® Elongated Front Toilet, ADA Compliant

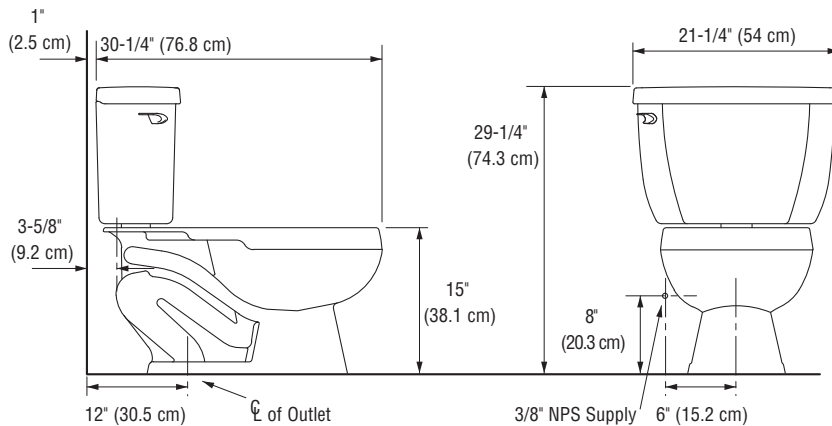


K-3519



- K-3493 with Left Hand Trip Lever
 - K-4304 Bowl
 - K-4484 Tank
- K-3519-RA with Right Hand Trip Lever
 - K-4304 Bowl
 - K-4484-RA Tank

WELLWORTH® PRESSURE LITE® Elongated Front Toilet, Standard Height



K-3531



- K-3531 with Left Hand Trip Lever
 - K-4303 Bowl
 - K-4484 Tank
- K-3531 with Right Hand Trip Lever
 - K-4303 Bowl
 - K-4484-RA Tank

To Be Specified:

- Color:
- Seat:
- Supply with Stop:

This space for Architect/Engineer approval.



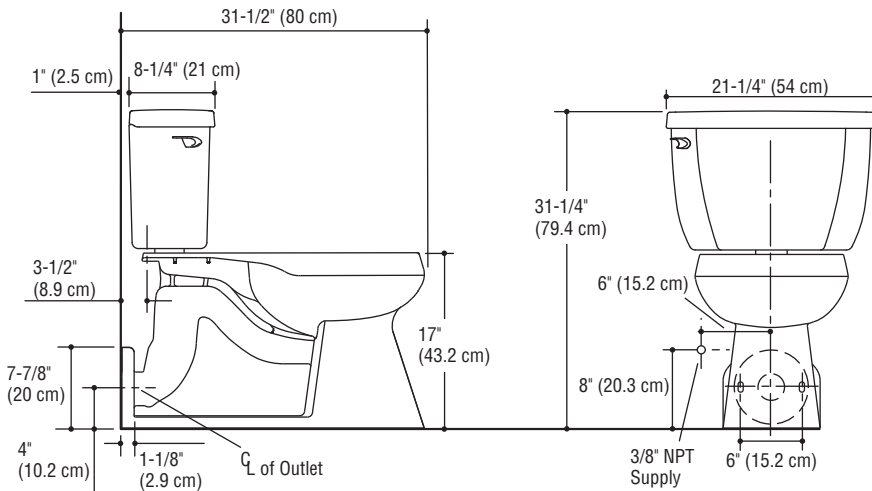
Sloan *FLUSHMATE®* • 30075 Research Drive • New Hudson, MI 48165
 Ph: (800) 875-9116 • Fax: (847) 671-3922 • Web: www.flushmate.com

Pressure Lite® High Efficiency Toilet Equipped with *FLUSHMATE® IV*

KOHLER®

Vitreous china, pressure-assisted siphon jet flush action, 10" x 12" water surface, 2-1/4" trapway dimension and 1.0 gpf/3.8 Lpf flush. Also available with tank cover locks, bedpan lugs and left or right hand trip levers. Minimum water supply pressure 35 psi static.

BARRINGTON™ PRESSURE LITE® Elongated Front Toilet, Rear Outlet 1.0 gpf/3.8 Lpf

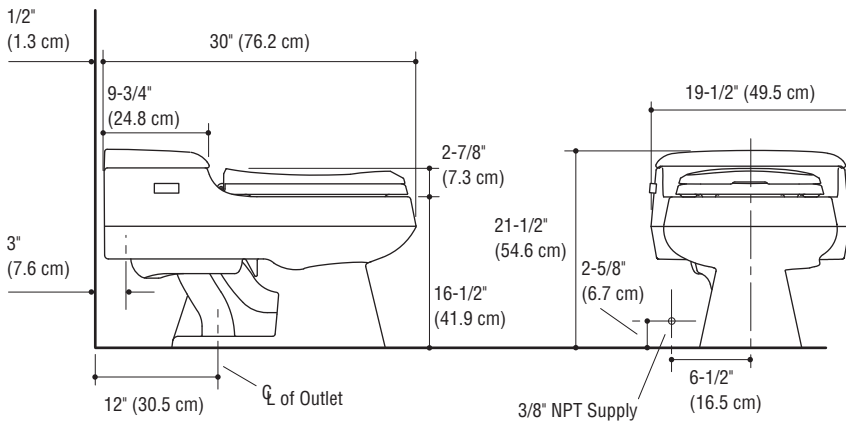


K-3578



- K-3554 with Left Hand Trip Lever
- K-4305 Bowl
- K-4484 Tank
- K-3578-RA with Right Hand Trip Lever
- K-4305 Bowl
- K-4484-RA Tank

SAN RAPHAEL™ COMFORT HEIGHT™ PRESSURE LITE® One-Piece



K-3597



- K-3597 with Seat and Cover

To Be Specified:

- Color:
- Seat:
- Supply with Stop:

This space for Architect/Engineer approval.



Sloan *FLUSHMATE®* • 30075 Research Drive • New Hudson, MI 48165
Ph: (800) 875-9116 • Fax: (847) 671-3922 • Web: www.flushmate.com