

Pressure Lite™ Two-Piece, High Efficiency Toilet Equipped with *FLUSHMATE® IV*

HIGHLINE™ PRESSURE LITE™ Elongated Front Toilet, ADA Compliant

Vitreous china, pressure-assisted siphon jet flush action, 10" x 12" water surface, 2-1/4" trapway dimension and 1.0 gpf/3.8 Lpf flush. Also available with tank cover locks, bedpan lugs and left or right hand trip levers.

K-3519

K-3493 with Left Hand Trip Lever

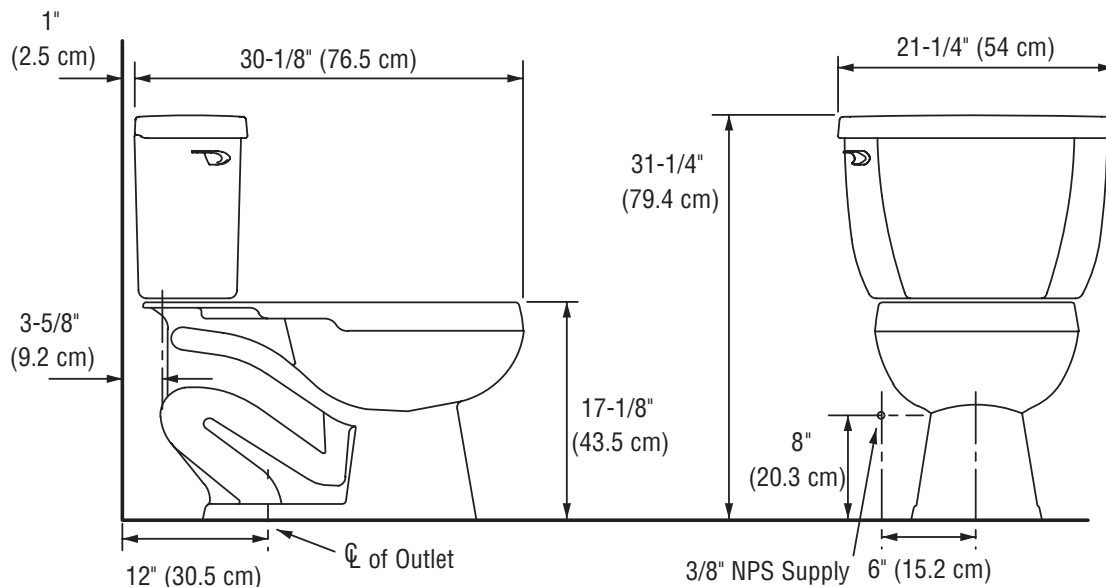
K-4304 Bowl

K-4484 Tank

K-3519-RA with Right Hand Trip Lever

K-4304 Bowl

K-4484-RA Tank



To Be Specified:

Color: _____

Seat: _____

Supply with Stop: _____

This space for Architect/Engineer approval.



Division of Sloan Valve Company • 10500 Seymour Avenue • Franklin Park, IL 60131
Ph: (800) 875-9116 • Fax: (800) 447-8329 • Web: www.flushmate.com