

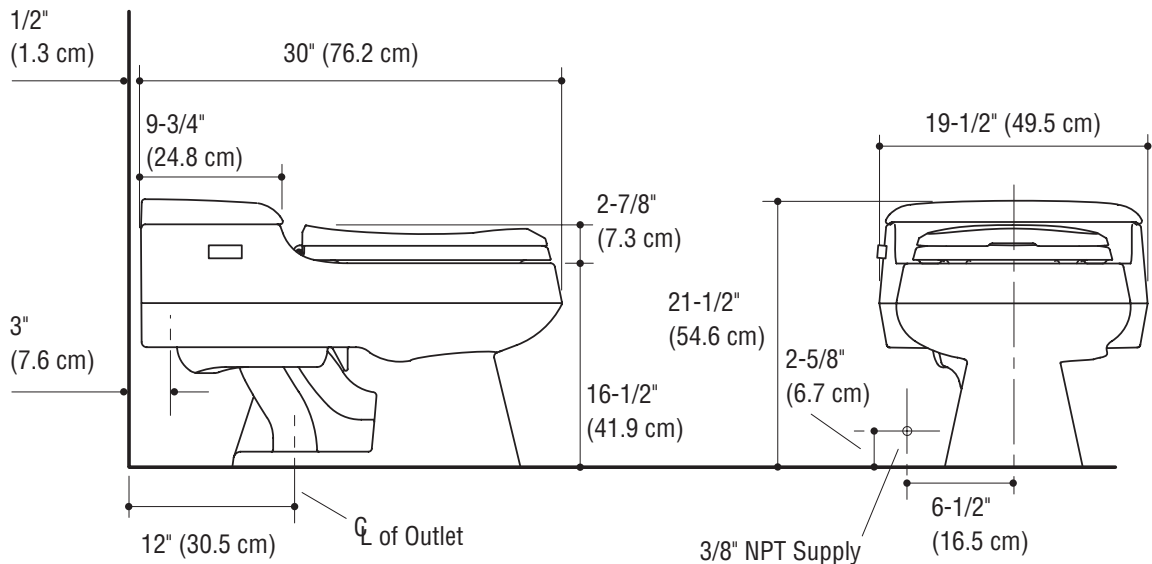
## Pressure Lite™ One-Piece, High Efficiency Toilet Equipped with *FLUSHMATE® IV*

### SAN RAPHAEL™ COMFORT HEIGHT™ PRESSURE LITE™ One-Piece Toilet

Vitreous china, pressure-assisted siphon jet flush action, 10" x 12" water surface, 2-1/4" trapway dimension and 1.0 gpf/3.8 Lpf flush. Also available with tank cover locks, bedpan lugs and left or right hand trip levers.

K-3597

K-3597 with Seat and Cover



#### To Be Specified:

- Color: \_\_\_\_\_
- Seat: \_\_\_\_\_
- Supply with Stop: \_\_\_\_\_

This space for Architect/Engineer approval.



Division of Sloan Valve Company • 10500 Seymour Avenue • Franklin Park, IL 60131  
Ph: (800) 875-9116 • Fax: (800) 447-8329 • Web: [www.flushmate.com](http://www.flushmate.com)