

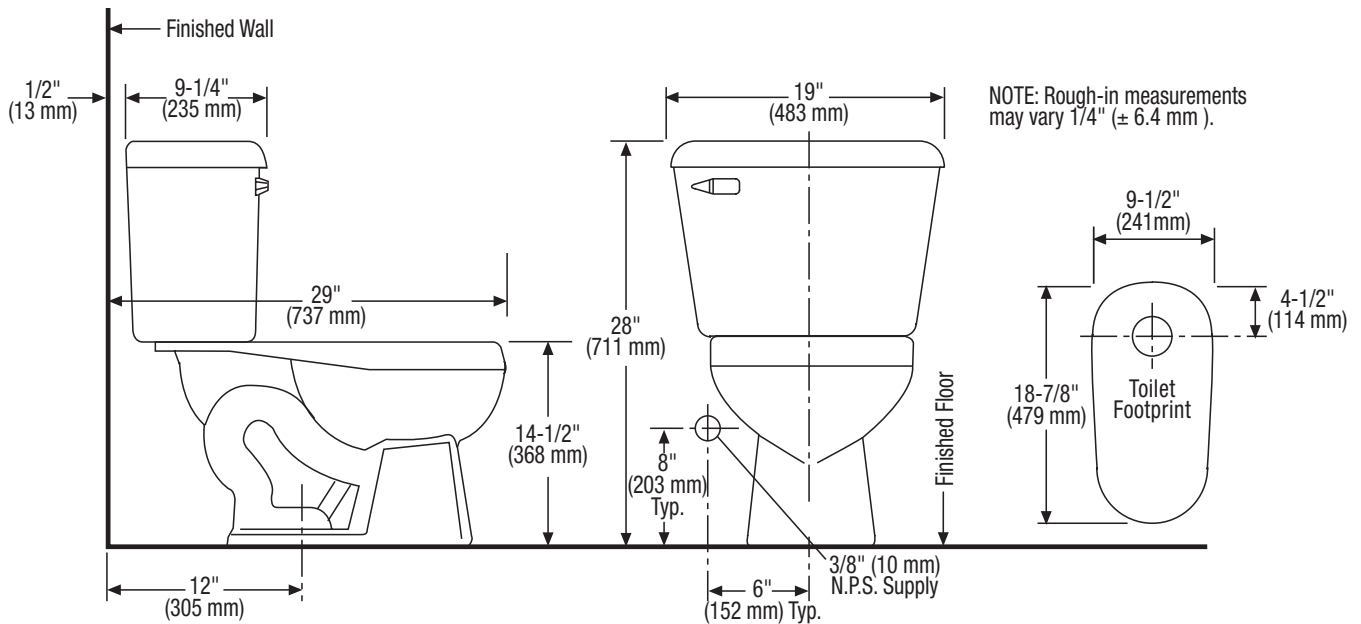
Pressure-Assist Water Closet Equipped with **FLUSHMATE®**

QuantumOne™ Round Front Toilet

Vitreous china, High Efficiency Toilet (HET), Jet Thrust™ action, flushes on less than 1.0 gpf/3.8 Lpf of water, toilet with **FLUSHMATE® IV** Flushometer tank system and cover equipped with 3-bolt tank-to-bowl hookup. Available with left- or right-hand flush handle and center push button. Tank-to-bowl gasket, bolts, washers and nuts are included. Minimum water supply pressure 35 psi static.

146-153

- 146 Bowl
- 153 Tank and Cover, Left Handle
- 153RH Tank and Cover, Right Handle
- 154 Tank and Cover, Push Button



To Be Specified:

Color: _____

Seat: _____

Supply with Stop: _____

This space for Architect/Engineer approval.

