

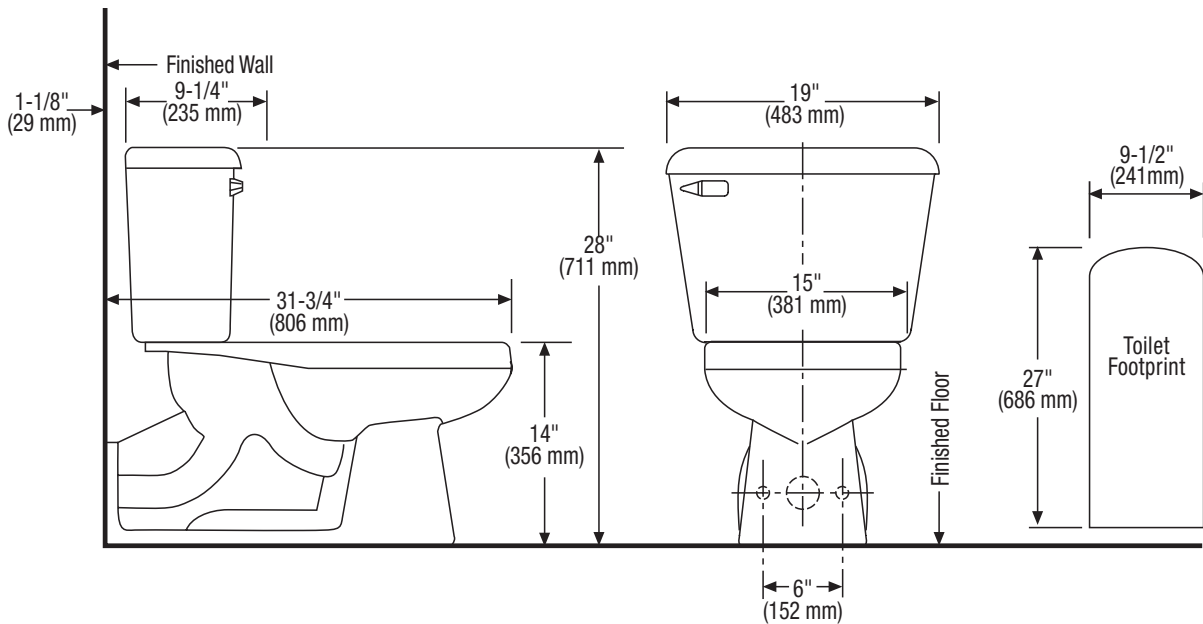
Pressure-Assist Water Closet Equipped with **FLUSHMATE®**

QuantumOne™ Elongated, Back Outlet Toilet

Vitreous china, High Efficiency Toilet (HET), Jet Thrust™ action, flushes on less than 1.0 gpf/3.8 Lpf of water, toilet with **FLUSHMATE® IV** Flushometer tank system and cover equipped with 3-bolt tank-to-bowl hookup. Available with left- or right-hand flush handle and center push button. Tank-to-bowl gasket, bolts, washers and nuts are included. Minimum water supply pressure 35 psi static.

149-153

- 149 Bowl
- 153 Tank and Cover, Left Handle
- 153RH Tank and Cover, Right Handle
- 122 Tank and Cover, Push Button



*Also available in 10" rough-in

To Be Specified:

- Color: _____
- Seat: _____
- Supply with Stop: _____

This space for Architect/Engineer approval.

