



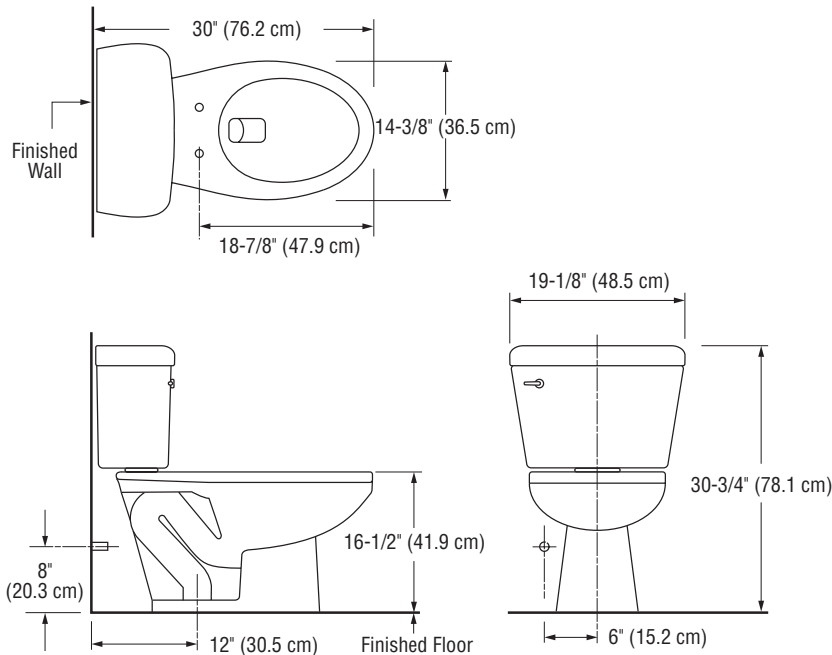
Pressure-Assisted Water Closet Equipped with **FLUSHMATE**[®]

EverGreen Elongated Front Extended Height Toilet*

Vitreous china, less than 1.0 gpf/3.8 Lpf tank and elongated bowl combination, pressure-assisted siphon jet action, close-coupled **FLUSHMATE IV**[®] Flushometer tank system. Chrome plated trip lever, tank fittings and bolt caps included. Available in White, Bone and Biscuit. Optional white seat.

EverGreen Elongated Front Toilet

- 5065-XXX-0101 Bowl
- 5066-XXX-5280 Tank w/Left Hand Trip Lever
- 5066-XXX-5281 Tank w/Right Hand Trip Lever
- 36-003-002 Toilet Seat (Elongated) (white only)
- 44-XXX-009 Toilet Seat (Elongated) (soft close hinge)



*Minimum water supply pressure 25 psi static.

To Be Specified:

- Toilet Color: (XXX indicates the color)
- White (003) Bone (017) Biscuit (068)
- Seat 36-003-002
- Seat 44-XXX-009
- Supply with Stop:

This space for Architect/Engineer approval.



Division of Sloan Valve Company • 10500 Seymour Avenue • Franklin Park, IL 60131
Ph: (800) 875-9116 • Fax: (800) 447-8329 • Web: www.flushmate.com