



GERBER

VITREOUS CHINA
TOILET
21-312

LAVATORIES

TOILETS

BIDETS / URINALS

CAST IRON

ULTRA FLUSH® Pressure-Assist Toilet Elongated

12" Rough-in

Features:

- Low Consumption 1.6 gpf (6.0 Lpf)
- Elongated Bowl
- Pressurized Flushing Action
- Close Coupled Flushometer Tank
- Optional Right-handed Trip Lever Available (Tank #28-380-97)
- Optional Locking Lid Available (Tank #28-380-LL)
- Siphon Jet
- Front Tank Lever
- 2 Bolt Caps

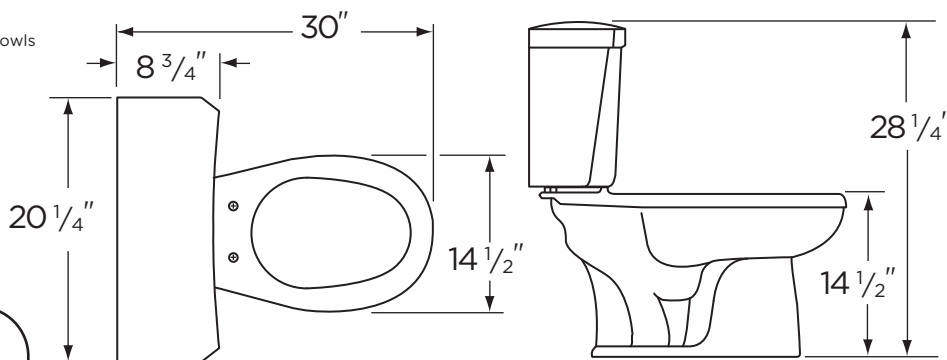


Dimensions:

- Height 28 1/4"
- Width 20 1/4"
- Depth 30"
- Rough-in 12"
- Water Surface from Rim 4 1/2"
- Trapway (ave)* 3 1/3"
- Trapway (min) 2"
- Water Surface..... 12 1/2" x 10 1/2"
- Water Seal 2 1/2"
- Shipping Weight 90 lbs

Specifications: Bowl—##21-372 Elongated Bowl Tank—#28-380
Seat not included

*Average diameter of 26 equally spaced points throughout the trapway of 3 randomly selected bowls



THIS FIXTURE QUALIFIES ACCORDING TO ASME TEST PROCEDURES AS A LOW CONSUMPTION WATER CLOSET WITH AN AVERAGE CONSUMPTION OF 1.6 GAL. OR LESS.



www.gerberonline.com

Job Name	
Date	
Model Specified	
Quantity	
Customer	
Contractor	
Architect/engineer	



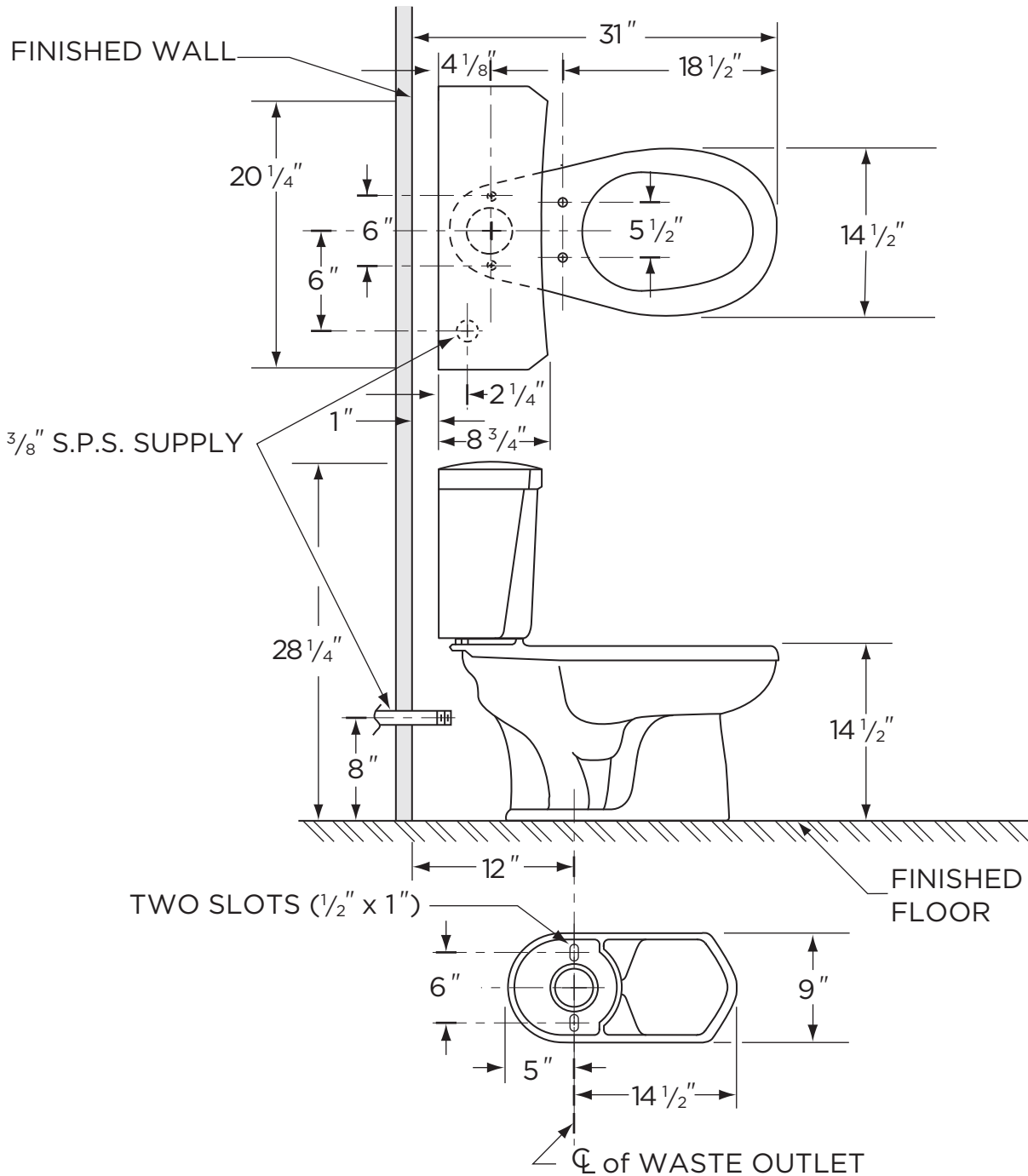
GERBER

1.6 gpf (6 Lpf) Ultra Flush® TOILET

21-312

Elongated, 12" Rough-in

(Bowl 21-372 with Tank 28-380)



NOTES:

All dimensions are in inches.

Illustrations may not be drawn to scale.

IMPORTANT:

Dimensions of fixtures are nominal and may vary within the range of tolerances established by ASME Standard A 112.19.2.

THIS FIXTURE QUALIFIES ACCORDING TO ASME TEST PROCEDURES AS A LOW CONSUMPTION WATER CLOSET WITH AN AVERAGE CONSUMPTION OF 1.6 gpf (6 Lpf) OR LESS.