



GERBER

VITREOUS CHINA
TOILET
21-318

LAVATORIES

TOILETS

BIDETS / URINALS

CAST IRON



ULTRA FLUSH® Pressure-Assist Toilet 17" Elongated ErgoHeight™

12" Rough-in

Features:

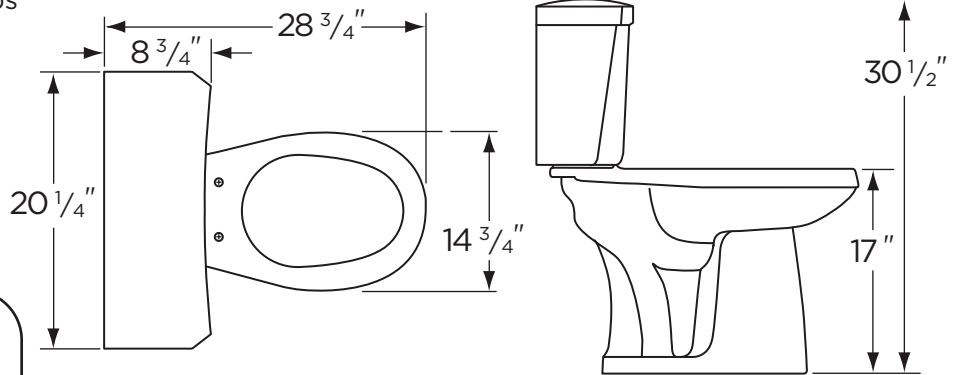
- Low Consumption 1.6 gpf (6.0 Lpf)
- Elongated ErgoHeight™ Bowl
- Pressurized Flushing Action
- Close Coupled Flushometer Tank
- Siphon Jet
- Front Tank Lever
- Optional Right-handed Trip Lever Available (Tank #28-380-97)
- Optional Locking Lid Available (Tank #28-380-LL)
- 2 Bolt Caps
- ADA Compliant



Dimensions:

- Height 30 1/2"
- Width 20 1/4"
- Depth 28 3/4"
- Rough-in 12"
- Water Surface from Rim 4 1/2"
- Trapway (min)..... 2"
- Water Surface..... 12" x 10"
- Water Seal 2 1/2"
- Shipping Weight 94 lbs

Specifications: Bowl—#21-377 Elongated ErgoHeight™ Tank—#28-380
Seat not included



THIS FIXTURE QUALIFIES
ACCORDING TO ASME TEST
PROCEDURES AS A LOW
CONSUMPTION WATER CLOSET
WITH AN AVERAGE CONSUMPTION
OF 1.6 GAL. OR LESS.



www.gerberonline.com

Job Name	
Date	
Model Specified	
Quantity	
Customer	
Contractor	
Architect/engineer	

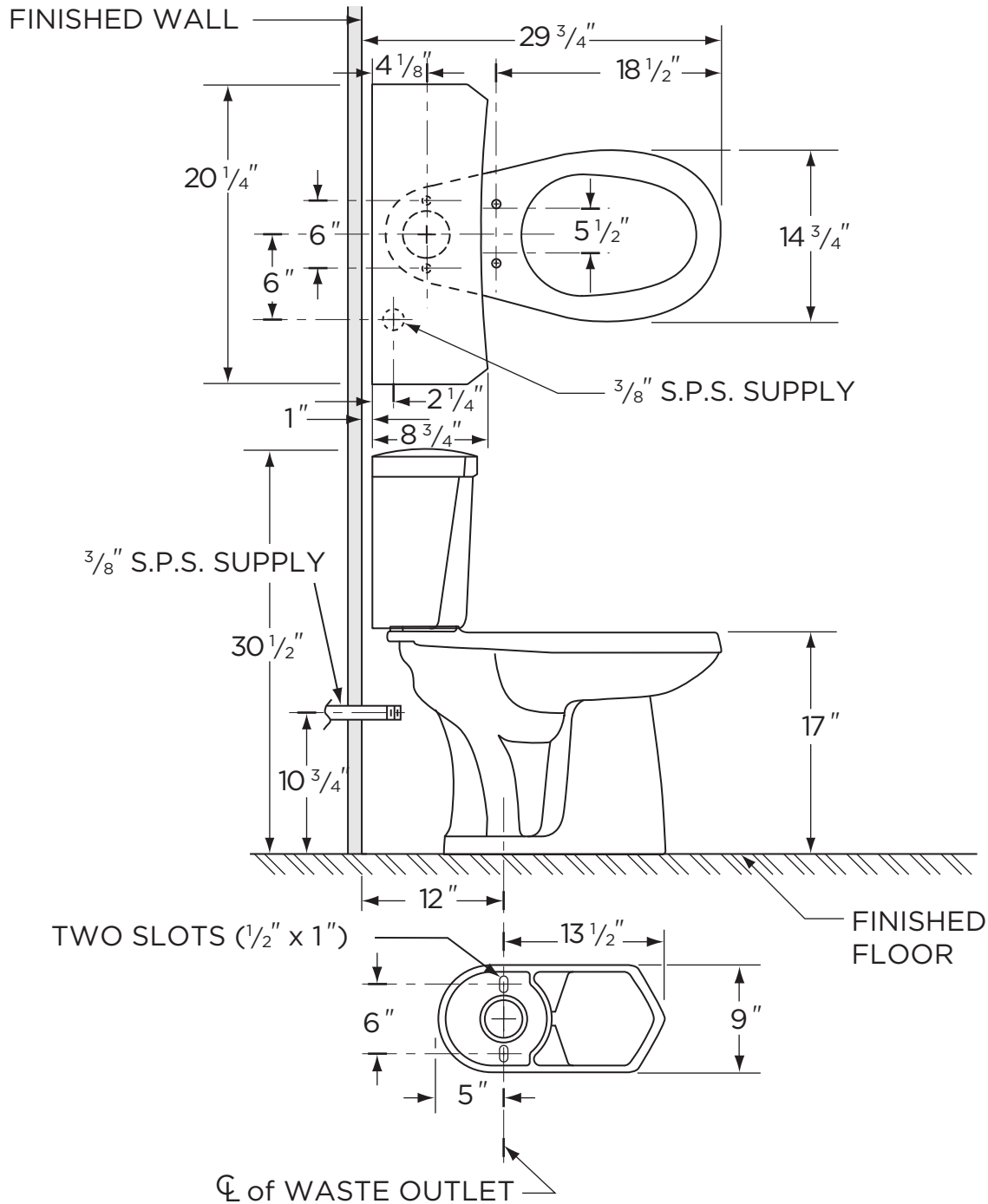


GERBER

1.6 gpf (6 Lpf) Ultra Flush® Toilet

21-318

17" Elongated ErgoHeight™, 12" Rough-in
(Bowl 21-377 with Tank 28-380)



NOTES:

All dimensions are in inches.

Illustrations may not be drawn to scale.

IMPORTANT:

Dimensions of fixtures are nominal and may vary within the range of tolerances established by ASME Standard A 112.19.2.

THIS FIXTURE QUALIFIES ACCORDING TO ASME TEST PROCEDURES AS A LOW CONSUMPTION WATER CLOSET WITH AN AVERAGE CONSUMPTION OF 1.6 gpf (6 Lpf) OR LESS.