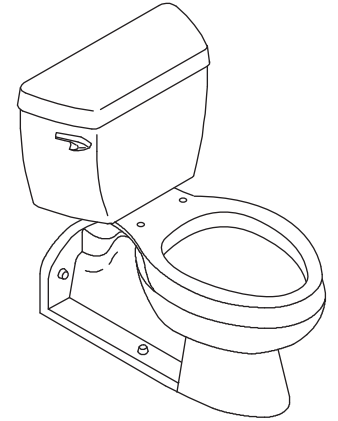


PRESSURE LITE® TOILET K-3554

Features

- Vitreous china
- Elongated bowl
- Equipped with Sloan FLUSHMATE® – Sloan® Valve Company
- Polished chrome trip lever
- Rear outlet
- 12" (305 mm) x 10" (254 mm) water area
- Optional bedpan lugs or tank cover locks
- 4" (102 mm) rough-in
- Less seat and supply
- 1.6 gpf (6.0 lpf)
- 31-1/2" (800 mm) x 21-1/4" (540 mm) x 29-1/4" (743 mm)



Codes/Standards Applicable

Specified model meets or exceeds the following:

- ASME A112.19.2/CSA B45.1
- Energy Policy Act of 1992

Colors/Finishes

- 0: White
- Other: Refer to Price Book for additional colors/finishes

Accessories

- 0: White
- CP: Polished Chrome
- PB: Vibrant® Polished Brass
- Other: Refer to Price Book for additional colors/finishes

Specified Model

Model	Description	Colors/Finishes	
K-3554	Pressure Lite toilet, left-hand trip lever (shown)	<input type="checkbox"/> 0	<input type="checkbox"/> Other_____
K-3554-RA	Pressure Lite toilet, right-hand trip lever	<input type="checkbox"/> 0	<input type="checkbox"/> Other_____
K-3554-T	Pressure Lite toilet with tank cover locks, left-hand trip lever	<input type="checkbox"/> 0	<input type="checkbox"/> Other_____

Recommended Accessories

K-4652	Lustra™ seat with cover	<input type="checkbox"/> 0	<input type="checkbox"/> Other_____
K-4652-A	Lustra seat with cover, anti-microbial agent	<input type="checkbox"/> 0	
K-7637	Angle supply with stop – 3/8" NPT	<input type="checkbox"/> CP	<input type="checkbox"/> PB <input type="checkbox"/> Other_____

Optional Accessories

K-9481-L	Trip-lever, left-hand (non-CP finish)	<input type="checkbox"/> PB	<input type="checkbox"/> Other_____
K-9481-R	Trip-lever, right-hand (non-CP finish)	<input type="checkbox"/> PB	

Product Specification

The elongated bowl toilet shall be made of vitreous china. Toilet shall be 31-1/2" (800 mm) in length, 21-1/4" (540 mm) in width, and 29-1/4" (743 mm) in height. Toilet shall feature rear outlet. Toilet shall feature 4" (102 mm) rough-in and is equipped with Sloan FLUSHMATE® – Sloan® Valve Company. Toilet shall have 12" (305 mm) by 10" (254 mm) water area. Toilet shall be 1.6 gpf (6.0 lpf). Toilet shall include polished chrome trip lever. Toilet shall be less seat and supply. Toilet shall feature optional bedpan lugs or tank cover locks. Elongated bowl toilet shall be Kohler Model K-3554-_____ or K-3554-_____ - _____.

BARRINGTON™

Technical Information

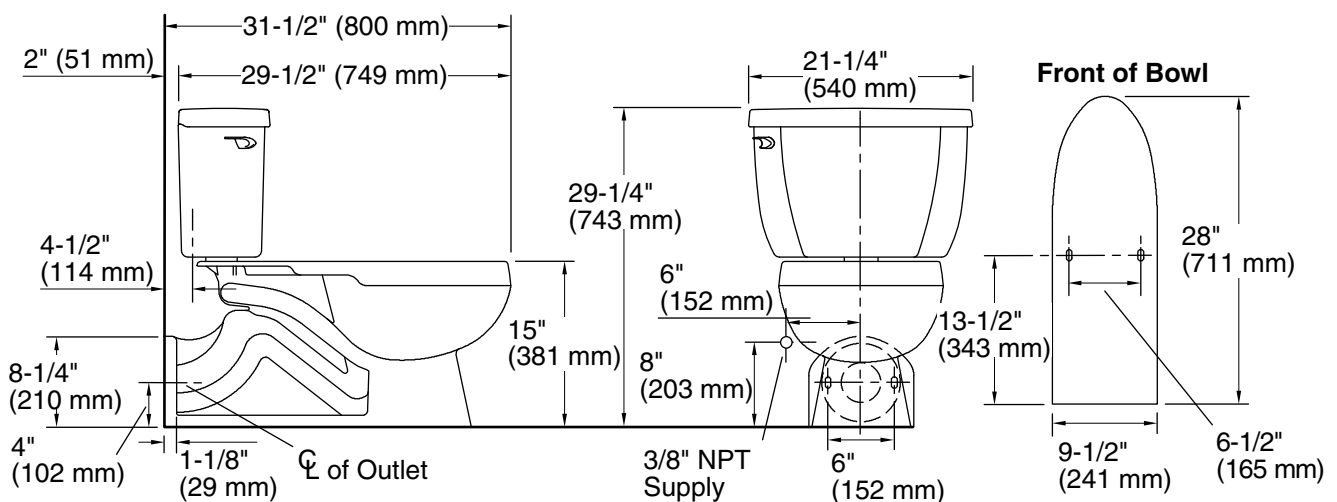
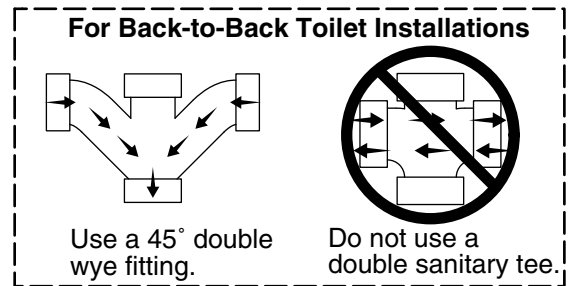
Fixture:	
Configuration	Two-piece, elongated
Water per flush	1.6 gpf (6.0 lpf)
Passageway	2-1/4" (57 mm)
Water area	12" (305 mm) x 10" (254 mm)
Water depth from rim	7" (178 mm)
Seat post hole centers	5-1/2" (140 mm)
Minimum static pressure required	20 psi (137.9 kPa)
Maximum static pressure	80 psi (551.6 kPa)

Included Components*:	
Bowl	K-4327
Tank	K-4645
Tank cover	1036375
Floor screws and bolt caps	52049
Bolt cap accessory pack	52048
Tank accessory pack	73062
Trip lever, left-hand	K-9481-L OR
Trip lever, right-hand	K-9481-R
*Equipped with Sloan FLUSHMATE® – Sloan® Valve Company	

Installation Notes

Install this product according to the installation guide.

For back-to-back toilet installations: Use only a 45° double wye fitting.



Product Diagram