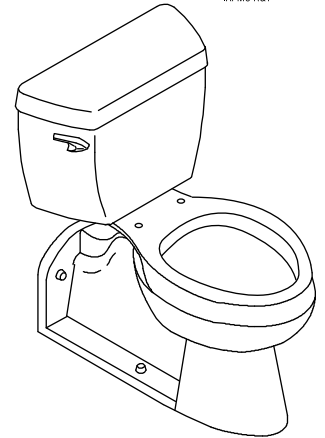


PRESSURE LITE® TOILET K-3578

Features

- Vitreous china
- Elongated bowl
- Comfort Height®
- Equipped with Sloan FLUSHMATE® – Sloan® Valve Company
- Polished chrome trip lever
- Rear outlet
- Less seat and supply
- 4" (102 mm) rough-in
- 1.0 gpf (3.8 lpf)
- 12" (305 mm) x 10" (254 mm) water area
- Optional tank cover locks
- 31" (787 mm) x 21-1/4" (540 mm) x 31-1/4" (794 mm)



Codes/Standards Applicable

Specified model meets or exceeds the following:

- ADA
- ICC/ANSI A117.1
- ASME A112.19.2/CSA B45.1
- EPA WaterSense®

Colors/Finishes

- 0: White
- CP: Polished Chrome
- PB: Vibrant® Polished Brass
- Other: Refer to Price Book for additional colors/finishes

Specified Model

Model	Description	Trip Lever	Colors/Finishes	
K-3578	Pressure Lite toilet (shown)	left-hand	<input type="checkbox"/> 0	<input type="checkbox"/> Other_____
K-3578-RA	Pressure Lite toilet	right-hand	<input type="checkbox"/> 0	<input type="checkbox"/> Other_____
K-3578-T	Pressure Lite toilet with tank cover locks	left-hand	<input type="checkbox"/> 0	<input type="checkbox"/> Other_____

Recommended Accessories				
K-4650	Lustra™ open-front seat – for ADA compliant installation		<input type="checkbox"/> 0	<input type="checkbox"/> Other_____
K-4652	Lustra closed-front seat with cover		<input type="checkbox"/> 0	<input type="checkbox"/> Other_____
K-4652-A	Lustra closed-front seat with cover, anti-microbial agent		<input type="checkbox"/> 0	
K-7637	Angle supply with stop – 3/8" NPT	<input type="checkbox"/> CP	<input type="checkbox"/> PB	<input type="checkbox"/> Other_____

Product Specification

The elongated bowl toilet shall be made of vitreous china. Toilet shall be 31" (787 mm) in length, 21-1/4" (540 mm) in width, and 31-1/4" (794 mm) in height. Toilet shall have rear outlet. Toilet shall feature 4" (102 mm) rough-in and is equipped with Sloan FLUSHMATE® - Sloan® Valve Company. Toilet shall feature Comfort Height. Toilet shall have 12" (305 mm) by 10" (254 mm) water area. Toilet shall be 1.0 gpf (3.8 lpf). Toilet shall include polished chrome trip lever. Toilet shall be less seat and supply. Toilet shall feature optional tank cover locks. Elongated bowl toilet shall be Kohler Model K-3578-_____ or K-3578-_____.

