

144-155 Quantum® 1.28

Elongated Front, Pressure-Assist, Rear Outlet, , Wall-Mount, Vitreous China Two-Piece Toilet



Features

- Elongated Rear Outlet, Wall-Mount
- 1.28 Gpf / 4.86 Lpf
- High Performance, Pressure-Assist Flushmate™ Flushing Technology
- Trip Levers
 - Model 45 Left Hand Trip Lever
 - Model 49 Right Hand Trip Lever
- 2" Glazed Trapway
- The Mansfield® Limited Lifetime Warranty
- Available in White and Standard Colors





Elongated Front



Model 144-155
Toilet seat shown is
unavailable

Components



Model #	Description	Codes/Standards
144-155	Elongated front, rear outlet, wall-mount (1.28 Gpf/4.86 Lpf) pressure-assist, two-piece toilet. Includes tank trim and chrome-plated metal trip lever. Less toilet seat and supply. Specify color.	 
144	Elongated front, rear outlet, wall-mount toilet bowl only. Less toilet seat and supply. Specify color.	
155	Pressure-assist tank and cover only with left hand chrome plated, metal trip lever. Less supply. Specify color.	
155RH	Same as model 155, except with right hand trip lever.	

144-155 Quantum® 1.28

Elongated Front, Pressure-Assist, Rear Outlet, , Wall-Mount, Vitreous China Two-Piece Toilet

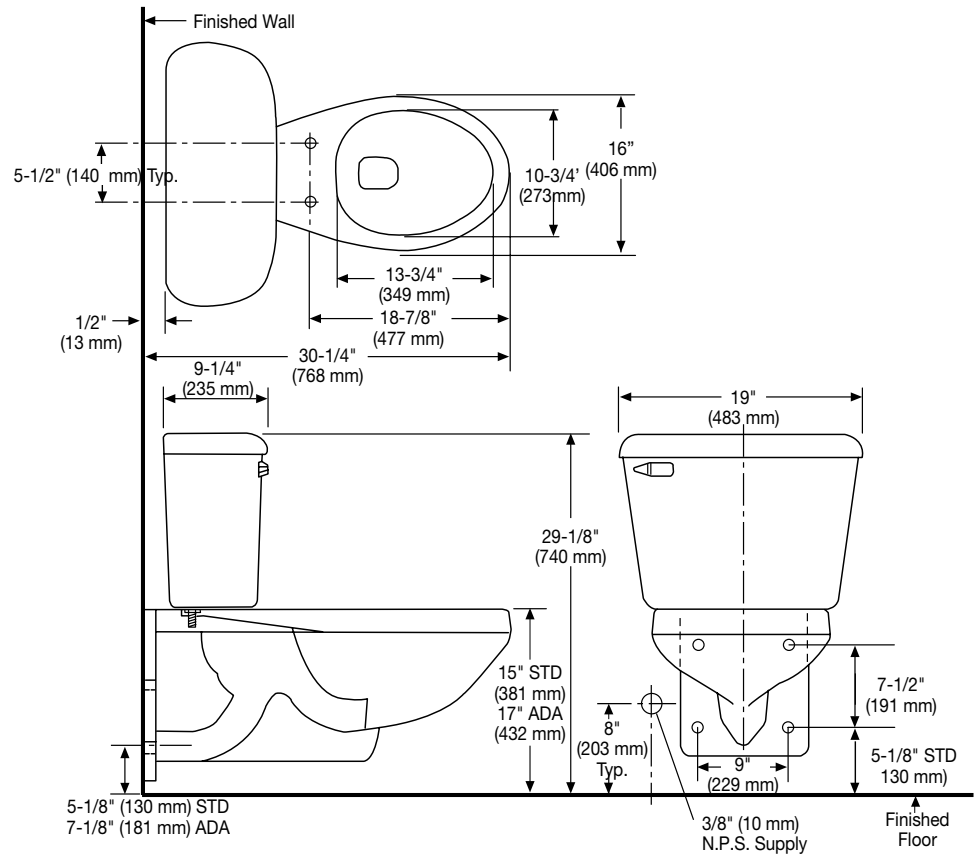


Specifications

Model #	Description	Codes/Standards
144-155	Elongated front, pressure-assist, rear outlet, wall-mount, two-piece toilet	 

Specification	Description	Specification	Description
Material	Vitreous China	Trap Diameter	2"
Water Pressure Range	35 to 80 PSI	Trap Seal	2-1/4"
Flush System	Flushmate™ Flushing Technology	Rough-in	Rear Outlet, Wall-Mount
Water Usage	1.28 gpf / 4.86 lpf	Shipping Weight	Model 144 - 61 lbs. Model 155/155RH – 41 lbs
Water Surface Area	7" X 8-1/2"	Warranty	Vitreous China - Limited Lifetime Tank Trim - Five Year Limited
MaP Rating	Pending		

Technical Information



See our complete line of acrylic and vitreous china bathroom fixtures, plastic tank trim and plumbing products.

These dimensions are nominal and subject to change without notice.

Fixture performance and specifications meet or exceed ASME A112.19.2-2008/CSA B45.1-08 standards, and other state and local codes.