

# 147-155 Quantum® 1.28

Elongated Front, Vitreous China, Two-Piece Toilet



## Features

- High performance, pressure-assist Flushmate III™ flushing technology
- 1.28 gpf / 4.86 lpf low water consumption
- Elongated front bowl
- 12" rough-in
- 2" glazed trapway
- Trip levers
  - Model 45 left hand, chrome-plated metal
  - Model 49 right hand, chrome-plated metal
- The Mansfield® limited lifetime warranty
- Available in White and Standard Colors: Biscuit, Bone





Elongated Front



Model 147-155  
Toilet seat not included

## Components

Model #	Description	Codes/Standards
147-155	Elongated front, pressure-assist toilet. Less toilet seat and supply. Specify color.	 
147	Elongated front, pressure-assist bowl only. Less toilet seat. Specify color.	
155	Pressure-assist tank and cover only with left hand, chrome-plated metal trip lever. Less supply. Specify color.	
155RH	Same as model 155, except with right hand chrome-plated, metal trip lever.	





**MADE IN USA**

# 147-155 Quantum® 1.28

Elongated Front, Vitreous China, Two-Piece Toilet

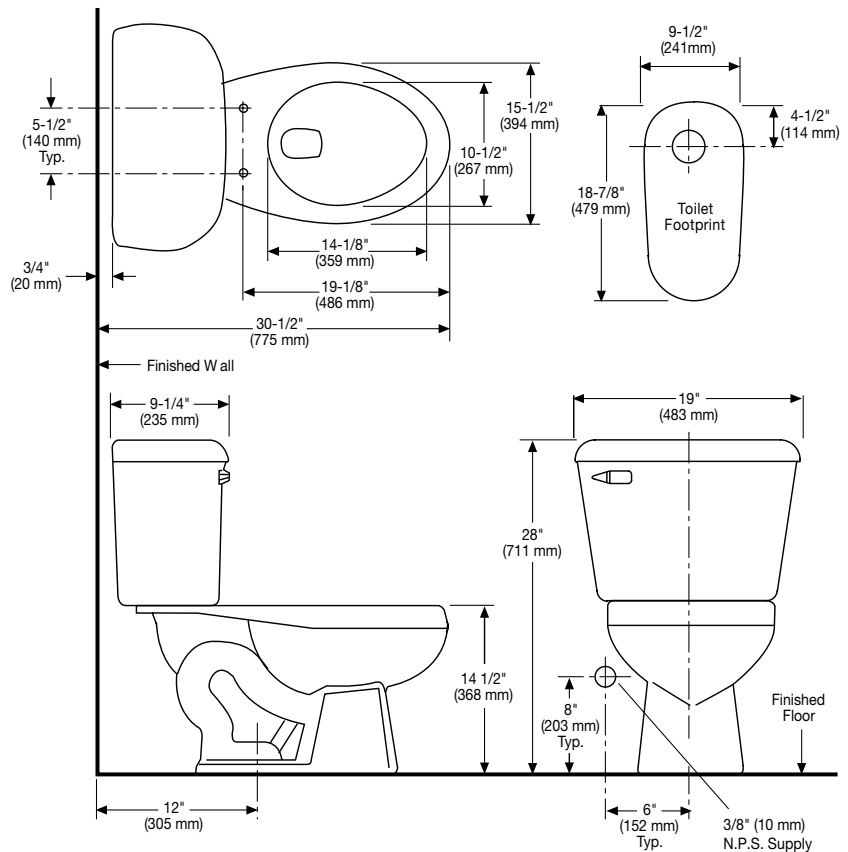


## Specifications

Model #	Description	Codes/Standards
147-155	Elongated front (1.28 gpf/4.86 lpf) two-piece toilet	 

Specification	Description	Specification	Description
Material	Vitreous China	Trap Diameter	2"
Water Pressure Range	35 to 80 PSI	Trap Seal	2-3/4"
Flush System	Flushmate™ pressure assist vessel	Shipping Weight	Model 147 - 55 lbs. (25 kg)
Water Usage	1.28 gpf / 4.86 lpf		Model 155/155RH - 43 lbs. (19.5 kg)
Water Surface Area	9-3/4" X 11-3/4"	Warranty	Vitreous China - Limited Lifetime
Rough-in	12"		Tank Trim - Limited One Year
MaP Rating	Pending		

## Technical Information



See our complete line of acrylic and vitreous china bathroom fixtures, plastic tank trim and plumbing products.

These dimensions are nominal and subject to change without notice.

Fixture performance and specifications meet or exceed ASME A112.19.2-2008/CSA B45.1-08 standards, and other state and local codes.



**MADE IN USA**