

# 149-123 Quantum®

Elongated Front, Pressure-Assist, Rear Outlet, Floor-Mount, Vitreous China, Two-Piece Toilet



## Features

- Elongated, floor mount, rear outlet
- 1.6 gpf / 6.0 lpf low water consumption
- High performance, pressure-assist Flushmate III™ flushing technology
- Trip levers
  - Model 45 left hand, chrome plated metal
  - Model 49 right hand, chrome plated metal
  - Model 47 push button actuator, chrome plated plastic
- 1-7/8" glazed trapway
- Available in White and Standard Colors: Biscuit, Bone
- The Mansfield® limited lifetime warranty



Elongated Front



Model 149-123  
Toilet seat not included

## Components

Model #	Descriptio	Codes/Standards
149-123	Elongated front, floor mount, rear outlet, two-piece pressure-assist toilet. Includes tank trim and chrome plated metal trip lever. Less toilet seat and supply. Specify color.	
149	Elongated front, rear outlet, floor-mount toilet bowl only. Less toilet seat and supply. Specify color.	
123	Pressure-assist tank and cover only with left hand chrome plated, metal trip lever. Less supply. Specify color.	
123RH	Same as model 123, except with right hand trip lever.	
122	Pressure-assist tank and cover only with chrome-plated metal push button actuator. Less supply. Specify color.	



**MADE IN USA**

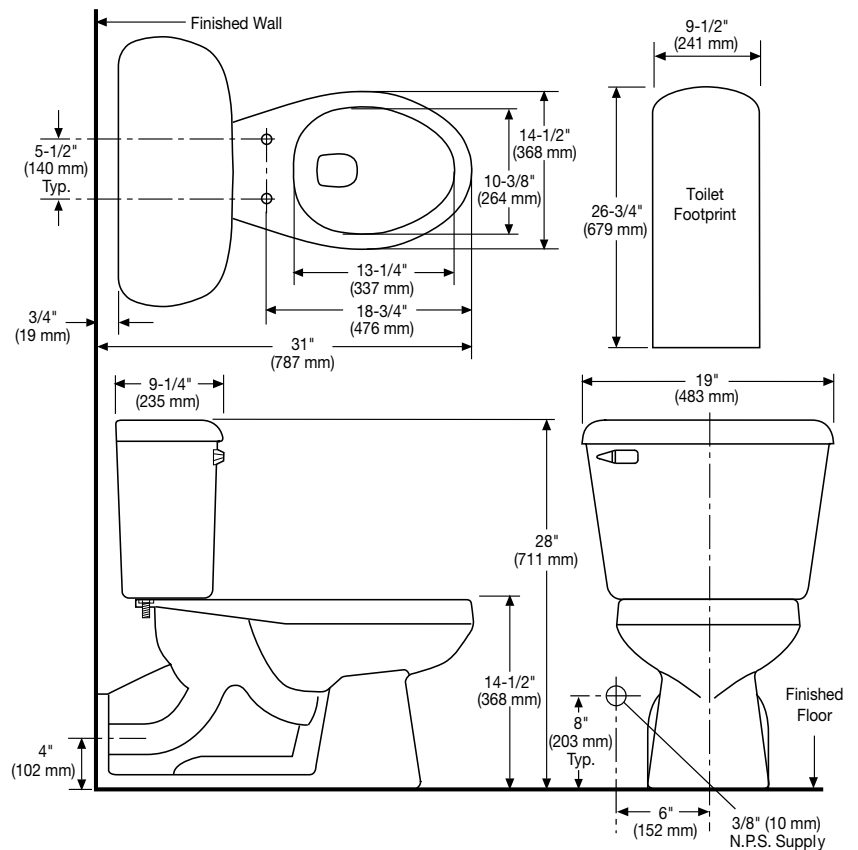
## Specification

Model #	Description	Codes/Standards
149-123	Elongated front, pressure-assist, rear outlet, floor-mount, two-piece toilet	

Specification	Description	Specification	Description
Material	Vitreous China	Trap Diameter	1-7/8"
Water Pressure Range	35 to 80 PSI	Trap Seal	2-3/4"
Flush System	Flushmate III™ Flushing Technology	Rough-in	Rear Outlet
Water Usage	1.6 gpf / 6.0 lpf	Shipping Weight	Model 149 - 60 lbs. Model 122/123/123RH - 43 lbs
Water Surface Area	9-7/8" X 12-1/4"	Warranty	Vitreous China - Limited Lifetime Tank Trim - Five Year Limited

## Technical Information

NOTE: Install this product according to the installation guide and/or spec sheet. Fixture dimensions are nominal and conform to tolerances in ASME A112.19.2-2008/CSA B45.1-08 standards.



See our complete line of acrylic and vitreous china bathroom fixtures, plastic tank trim and plumbing products.

These dimensions are nominal and subject to change without notice.

Fixture performance and specifications meet or exceed ASME A112.19.2-2008/CSA B45.1-08 standards, and other state and local codes.



**MADE IN USA**