

149-155 Quantum® 1.28

Elongated Front, Pressure-Assist, Rear Outlet, Floor-Mount, Vitreous China, Two-Piece Toilet



Features

- Elongated, floor mount, rear outlet
- 1.28 gpf / 4.86 lpf low water consumption
- High performance, pressure-assist Flushmate™ flushing technology
- Trip levers
 - Model 45 left hand, chrome plated metal
 - Model 49 right hand, chrome plated metal
- 2" glazed trapway
- Available in White and Standard Colors: Biscuit, Bone
- The Mansfield® limited lifetime warranty





Elongated Front



Model 149-155
Toilet seat not included

Components

Model #	Description	Codes/Standards
149-155	Elongated front, floor mount, rear outlet, two-piece pressure-assist toilet. Includes tank trim and chrome plated metal trip lever. Less toilet seat and supply. Specify color.	 
149	Elongated front, rear outlet, floor-mount toilet bowl only. Less toilet seat and supply. Specify color.	
155	Pressure-assist tank and cover only with left hand chrome plated, metal trip lever. Less supply. Specify color.	
155RH	Same as model 155, except with right hand trip lever.	





MADE IN USA

149-155 Quantum® 1.28

Elongated Front, Pressure-Assist, Rear Outlet, Floor-Mount, Vitreous China, Two-Piece Toilet



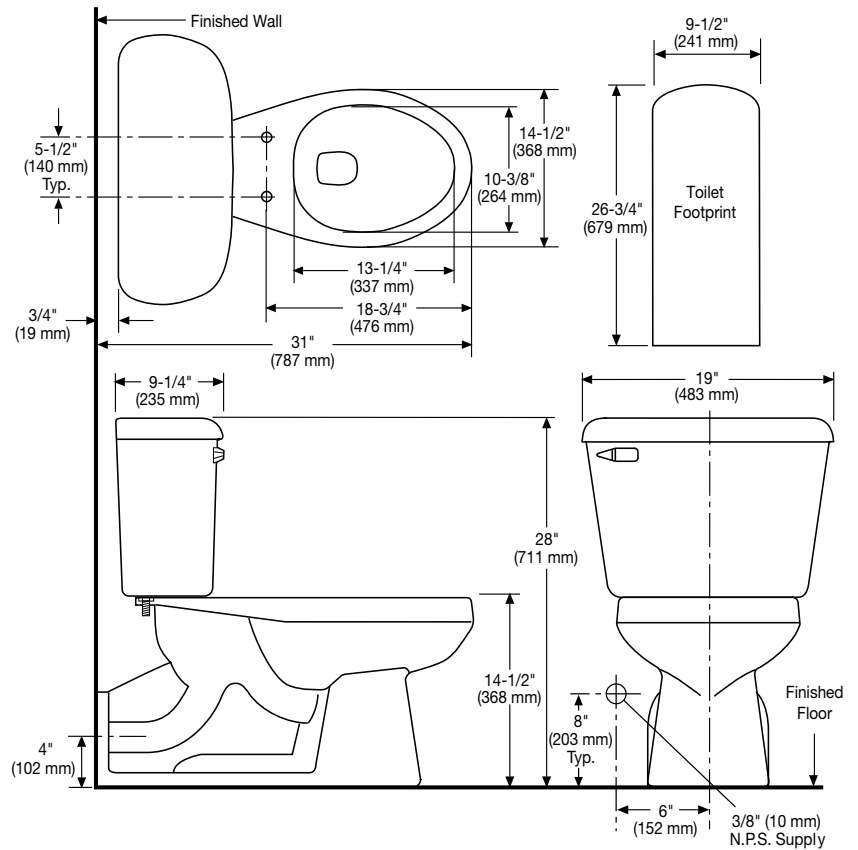
Specifications

Model #	Description	Codes/Standards
149-155	Elongated front, pressure-assist, rear outlet, floor-mount, two-piece toilet	 

Specification	Description	Specification	Description
Material	Vitreous China	Trap Diameter	2"
Water Pressure Range	35 to 80 PSI	Trap Seal	2-3/4"
Flush System	Flushmate™ Flushing Technology	Rough-in	Rear Outlet
Water Usage	1.28 gpf / 4.86 lpf	Shipping Weight	Model 149 - 60 lbs.
Water Surface Area	10-1/2" X 12-1/2"		Model 155/155RH - 43 lbs
MaP Rating	Pending	Warranty	Vitreous China - Limited Lifetime Tank Trim - Five Year Limited

Technical Information

NOTE: Install this product according to the installation guide and/or spec sheet. Fixture dimensions are nominal and conform to tolerances in ASME A112.19.2-2008/CSA B45.1-08 standards.



See our complete line of acrylic and vitreous china bathroom fixtures, plastic tank trim and plumbing products.

These dimensions are nominal and subject to change without notice.

Fixture performance and specifications meet or exceed ASME A112.19.2-2008/CSA B45.1-08 standards, and other state and local codes.



MADE IN USA