

PF1600 Series

Rear Outlet Toilet Pressure Assist - 1.0 gpf



Product Features

- Two-piece vitreous china
- Floor mount back outlet bowl
- Available in Round Front, Elongated and ADA floor mount back outlet bowls
- 1.0 gpf HET, High Efficiency Toilet with Pressure Assist
- Equipped with Sloan Flushmate IV System
- 2" fully glazed trapway
- Siphon Jet Technology
- EPA WaterSense Certified
- Large 12-1/4" x 9-5/8" water surface
- 4" rough-in
- Close coupled tank with cover
- Available in white only
- Seat and supply not included
- Uses 35% less water than standard (1.6 gpf) low consumption toilets



PF1605PAWH/PF1612PAWH

Codes and Standards

Meets strict flushing performance guidelines established by the EPA (Environmental Protection Agency) WaterSense program. Leadership in Energy and Environmental Design (LEED) Compliant. Los Angeles Department of Water and Power (LADWP) Compliant.

- IAPMO/UPC
- ASME A112.19.2M
- CSA B45

Specified Model

Model	Model Description	Color Finishes
PF1604PAWH	1.0 gpf round front back outlet bowl	○ White (WH)
PF1605PAWH	1.0 gpf elongated back outlet bowl	○ White (WH)
PF1606PAWH	1.0 gpf ADA height back outlet bowl	○ White (WH)
PF1612PAWH	1.0 gpf Pressure Assist tank white	○ White (WH)
PF1612PALWH	1.0 gpf Pressure Assist tank with locking lid	○ White (WH)
PF1612PARWH	1.0 gpf Pressure Assist tank white with Rh trip lever	○ White (WH)

Technical Information

Fixture:	
Configuration	two-piece toilet
Water per flush	1.0 gpf/3.8 lpf
Trapway	2" fully glazed
Water area	12-1/4" X 9-5/8"
Seat post hole centers	5-1/2"

Available Parts

FC100500K	Replacement cartridge for 1612 tank
FBL100504K	Lower supply kit
FBU100505K	Upper supply kit
FE205288	Tank to bowl gasket
FAP300116-L4	Flush handle and rod for LH tank
FAP300117-R4	Flush handle and rod for RH tank
PF1612PALIDWH	Replacement lid

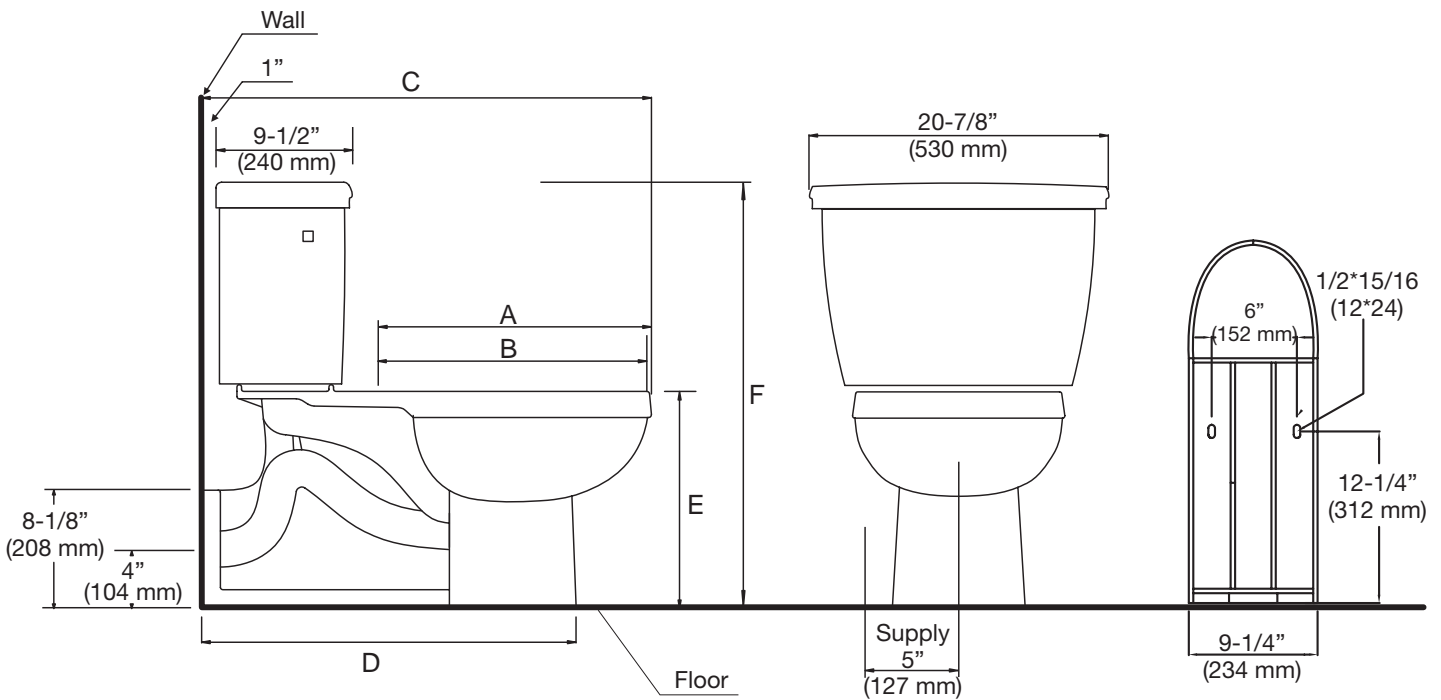




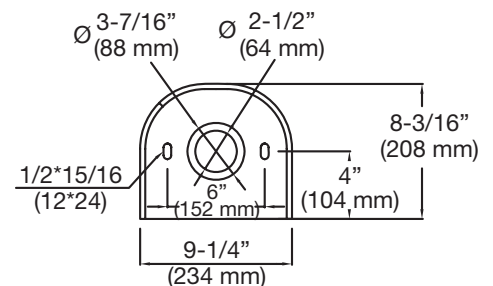
Rear Outlet Toilet Pressure Assist - 1.0 gpf

Product Specification

The combination toilet shall be made of vitreous china. Toilet shall be 1.0 gpf (3.8 lpf). Toilet shall have 2" (5.1 cm) glazed trapway. Toilet shall be less seat and supply. Toilet shall be 4" (10.4cm) Rough-in.



	PF1604	PF1605	PF1606
A	16-5/8" (423mm)	18-3/4" (477mm)	18-3/4" (477mm)
B	16-3/8" (415mm)	18-1/2" (470mm)	18-1/2" (470mm)
C	29" (736mm)	31-3/16" (792mm)	31-1/8" (790mm)
D	25-1/16" (637mm)	26" (660mm)	26-1/4" (666mm)
E	15-1/16" (383mm)	15-1/16" (383mm)	17" (432mm)
F	29-3/4" (755mm)	29-3/4" (755mm)	31-3/4" (806mm)



Warranty and Codes

These products come complete with installation, operating, care and maintenance instructions. All PROFLO fixtures carry a 1- year limited warranty. These products meet or exceed ASME/ANSI A112.19.2M. In an effort to continually improve our products, FEI will make design changes from time to time. We reserve the right to ship newly designed product to fill any order unless we agree in writing to do otherwise.

