

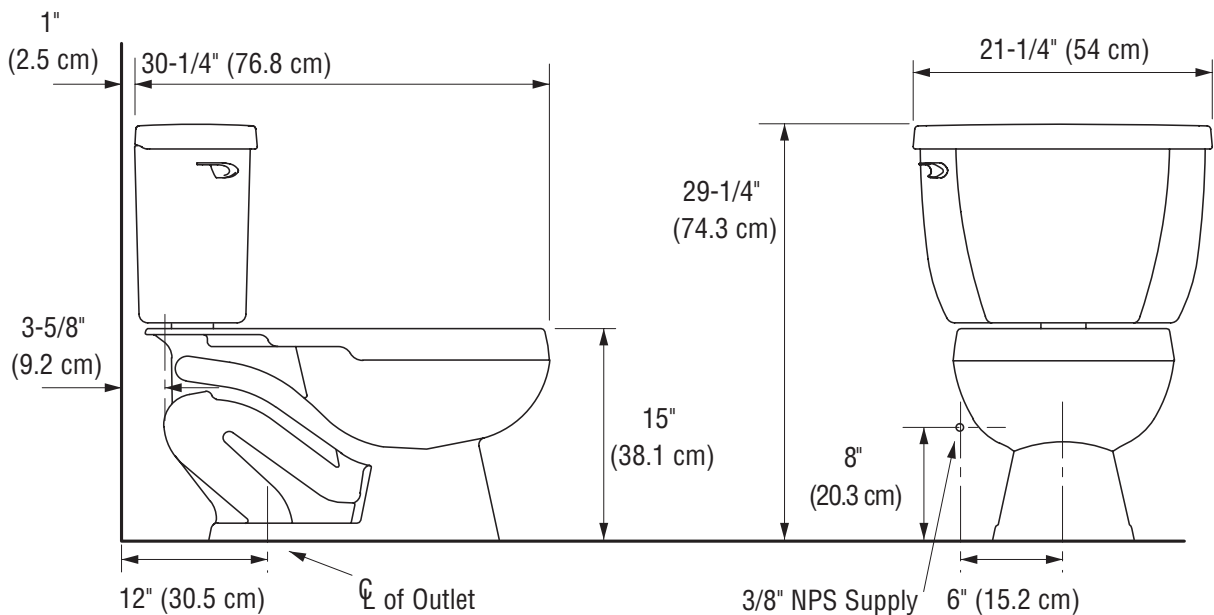
Pressure Lite™ Two-Piece, High Efficiency Toilet Equipped with *FLUSHMATE® IV*

WELLWORTH™ PRESSURE LITE™ Elongated Front Toilet, Standard Height

Vitreous china, pressure-assisted siphon jet flush action, 10" x 12" water surface, 2-1/4" trapway dimension and 1.0 gpf/3.8 Lpf flush. Also available with tank cover locks, bedpan lugs and left or right hand trip levers.

K-3531

- K-3531 with Left Hand Trip Lever
 - K-4303 Bowl
 - K-4484 Tank
- K-3531 with Right Hand Trip Lever
 - K-4303 Bowl
 - K-4484-RA Tank



To Be Specified:

- Color: _____
- Seat: _____
- Supply with Stop: _____

This space for Architect/Engineer approval.

