

# Pressure-Assist Water Closet Equipped with **FLUSHMATE®**

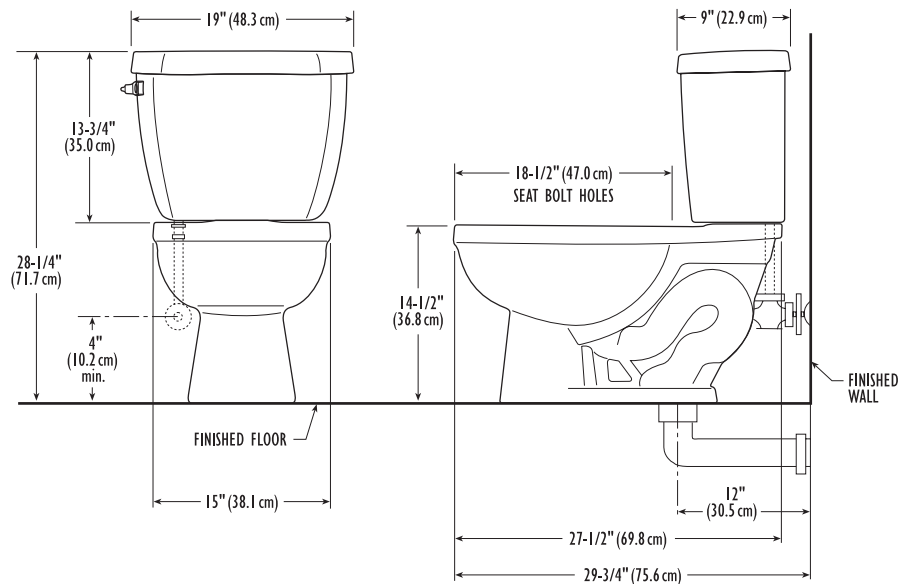
## Tornado Elongated Front Toilet\*

Tornado vitreous china tank and elongated bowl combination, pressure-assisted siphon jet flush action with **FLUSHMATE IV®** flushometer tank system that flushes less than 1.0 gallon/3.8 Liters. Tank trimmed with chrome plated flush lever and bolt caps included. Less seat.

**3138-3468**

**3138** Bowl

**3468** Tank



\*Minimum water supply pressure 25 psi static.

### To Be Specified:

- Color: \_\_\_\_\_
- Seat: \_\_\_\_\_
- Supply with Stop: \_\_\_\_\_

**This space for Architect/Engineer approval.**

