



# GERBER

VITREOUS CHINA  
TOILET  
**21-302**

LAVATORIES

TOILETS

BIDETS / URINALS

CAST IRON

## ULTRA FLUSH® Pressure-Assist Toilet Round Front

12" Rough-in

### Features:

- Low Consumption 1.6 gpf (6.0 Lpf)
- Round Front Bowl
- Pressurized Flushing Action
- Close Coupled Flushometer Tank
- Optional Right-handed Trip Lever Available (Tank #28-380-97)
- Optional Locking Lid Available (Tank #28-380-LL)
- Siphon Jet
- Front Tank Lever
- 2 Bolt Caps

### Dimensions:

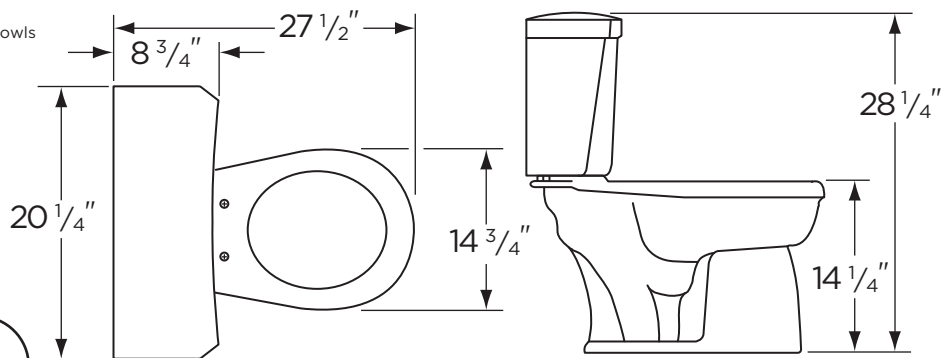
Height	28 1/4"
Width	20 1/4"
Depth	27 1/2"
Rough-in	12"
Water Surface from Rim	4 5/8"
Trapway (ave)*	3 1/8"
Trapway (min)	2"
Water Surface	12" x 10"
Water Seal	2 1/2"
Shipping Weight	88 lbs



**Specifications:** Bowl—#21-342 Round Front  
Seat not included

Tank—#28-380

\*Average diameter of 26 equally spaced points throughout the trapway of 3 randomly selected bowls



THIS FIXTURE QUALIFIES ACCORDING TO ASME TEST PROCEDURES AS A LOW CONSUMPTION WATER CLOSET WITH AN AVERAGE CONSUMPTION OF 1.6 GAL. OR LESS.



[www.gerberonline.com](http://www.gerberonline.com)

Job Name	
Date	
Model Specified	
Quantity	
Customer	
Contractor	
Architect/engineer	



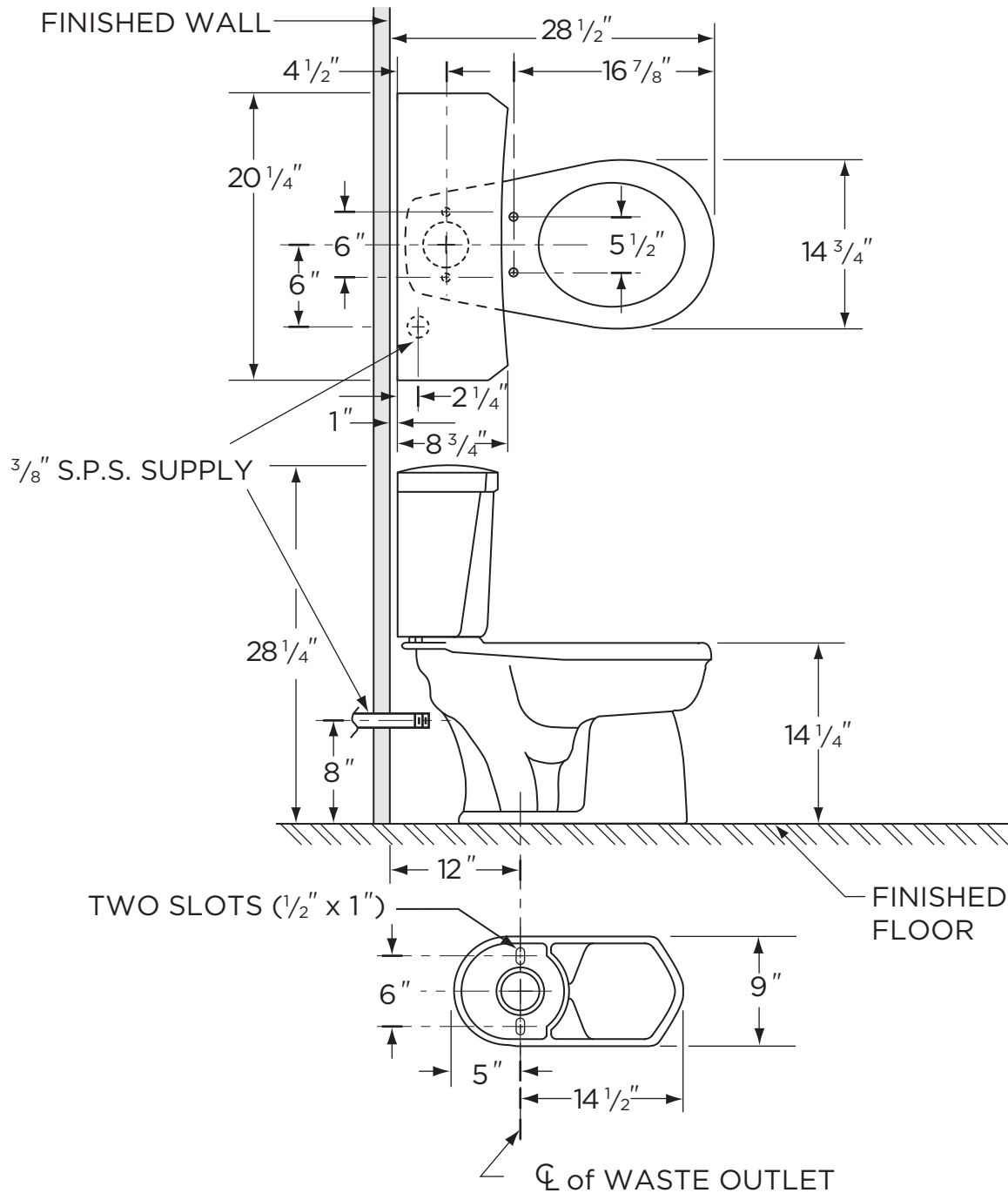
# GERBER

1.6 gpf (6 Lpf) Ultra Flush® TOILET

21-302

Round Front, 12" Rough-in

(Bowl 21-342 with Tank 28-380)



**NOTES:**

All dimensions are in inches.

Illustrations may not be drawn to scale.

**IMPORTANT:**

Dimensions of fixtures are nominal and may vary within the range of tolerances established by ASME Standard A 112.19.2.

THIS FIXTURE QUALIFIES ACCORDING TO ASME TEST PROCEDURES AS A LOW CONSUMPTION WATER CLOSET WITH AN AVERAGE CONSUMPTION OF 1.6 gpf (6 Lpf) OR LESS.