



# GERBER

VITREOUS CHINA

TOILET

21-319

LAVATORIES

TOILETS

BIDETS / URINALS

CAST IRON



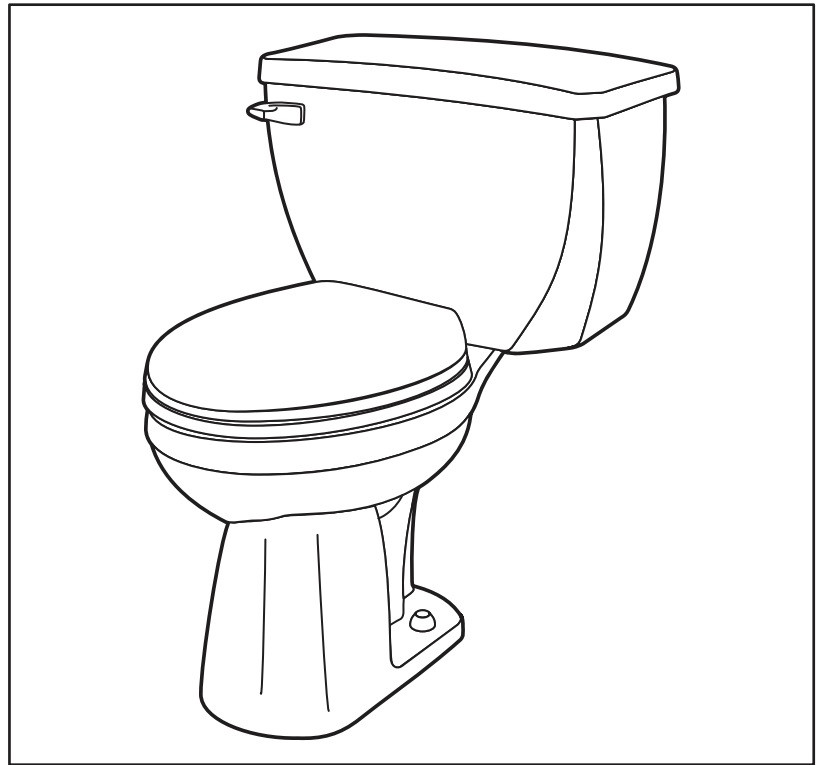
## ULTRA FLUSH®

12" Rough-in

# Pressure-Assist Toilet 17" Elongated ErgoHeight™ with Bedpan Cleansing Rimgated

### Features:

- Low Consumption 1.6 gpf (6.0 Lpf)
- Elongated ErgoHeight™ Bowl
- Pressurized Flushing Action
- Close Coupled Flushometer Tank
- Siphon Jet
- Front Tank Lever
- Optional Right-handed Trip Lever Available
- 2 Bolt Caps
- ADA Compliant

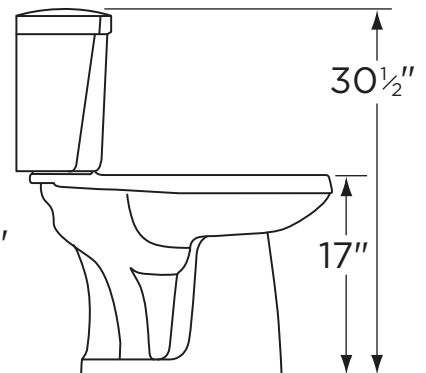
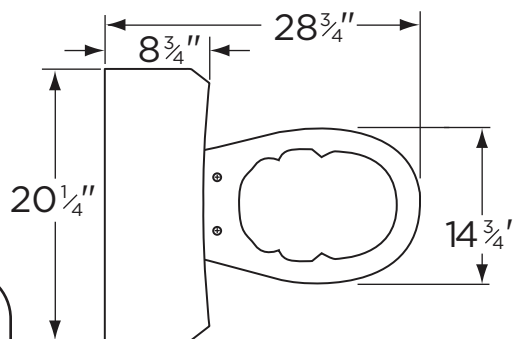


### Dimensions:

- Height ..... 30 1/2"
- Width ..... 20 1/4"
- Depth ..... 28 3/4"
- Rough-in ..... 12"
- Water Surface from Rim ..... 4 1/2"
- Trapway (min) ..... 2"
- Water Surface ..... 12" x 10"
- Water Seal ..... 2 1/2"
- Shipping Weight ..... 102 lbs

**Specifications:** Bowl—#21-329 Elongated  
Seat not included

Tank—#28-380



THIS FIXTURE QUALIFIES  
ACCORDING TO ASME TEST  
PROCEDURES AS A LOW  
CONSUMPTION WATER CLOSET  
WITH AN AVERAGE CONSUMPTION  
OF 1.6 GAL. OR LESS.



www.gerberonline.com

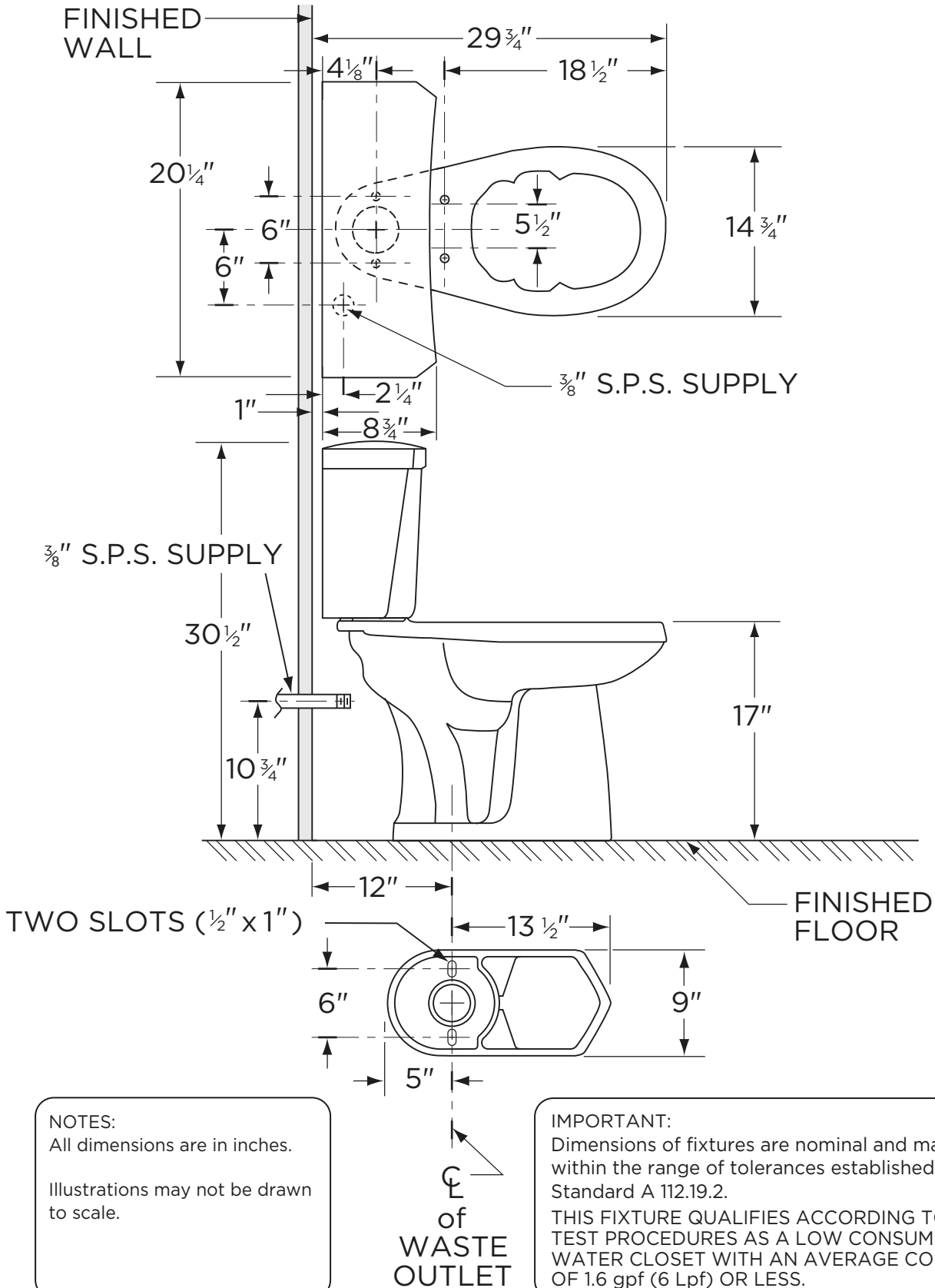
Job Name	
Date	
Model Specified	
Quantity	
Customer	
Contractor	
Architect/engineer	



# GERBER

1.6 gpf (6 Lpf) Ultra Flush® Toilet  
21-319  
17" Elongated ErgoHeight™ with Bedpan Lugs, 12" Rough-in  
(Bowl 21-329 with Tank 28-380)

1.6 gpf (6 Lpf) Ultra Flush® Toilet  
21-319  
17" Elongated ErgoHeight™ with Bedpan Lugs, 12" Rough-in  
(Bowl 21-329 with Tank 28-380)



NOTES:  
All dimensions are in inches.  
Illustrations may not be drawn to scale.

IMPORTANT:  
Dimensions of fixtures are nominal and may vary within the range of tolerances established by ASME Standard A 112.19.2.  
THIS FIXTURE QUALIFIES ACCORDING TO ASME TEST PROCEDURES AS A LOW CONSUMPTION WATER CLOSET WITH AN AVERAGE CONSUMPTION OF 1.6 gpf (6 Lpf) OR LESS.