



# GERBER

www.gerberonline.com

## ULTRA FLUSH™ 1.28 GPF Round Front Toilet

12" Rough-In

### Features:

#### □ HE-21-302

- Vitreous china
- Combination bowl and tank
- Sloan Flushmate pressure vessel
- 12" rough-in
- Pressurized flushing action
- Round front bowl
- Dual-fed siphon jet action bowl (no splashing)
- 2" fully glazed trapway for effective waste removal
- Front tank lever
- 6 point tank to bowl connection for tank stability
- Sanitary bead for easy cleaning
- Color matched bolt caps included
- Toilet seat not included



### Technical Information:

#### Included Components:

- Combination HE-21-302
- Bowl HE-21-342
- Tank HE-28-380

#### Other Tank Options: (bowl to be purchased separately)

- Tank with Lid Lock HE-28-380-LL
- Tank with Right Hand Lever HE-28-380-97

### Fixtures:

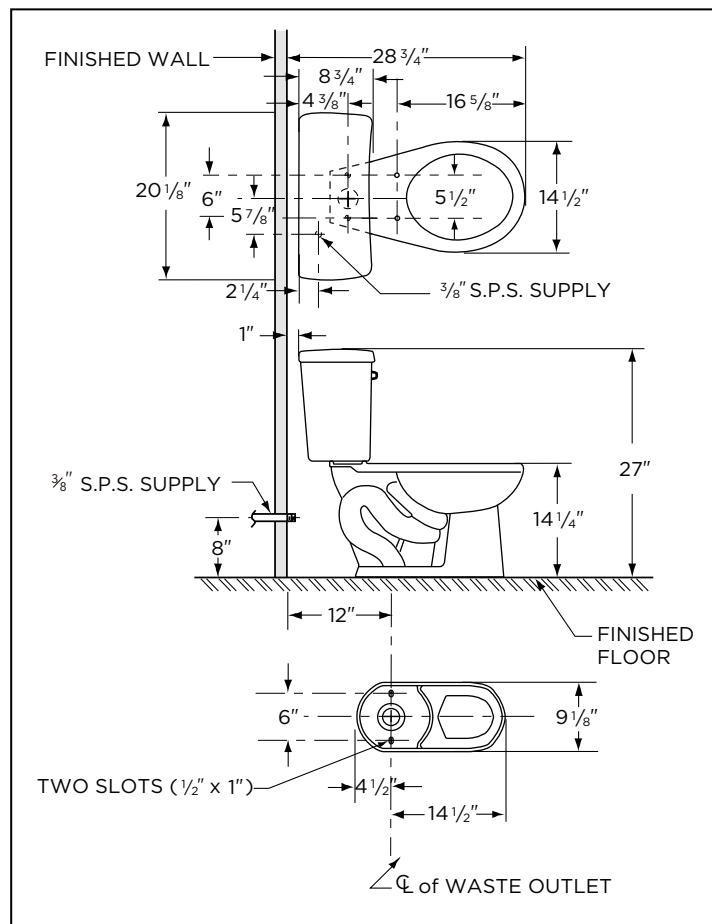
Configuration	Two-piece, round front
Water per Flush	1.28 gpf (4.8 lpf)
Rough-In	12"
Height	27"
Width	20 1/8"
Depth	27 3/4"
Trapway	2"
Large Water Surface	9 1/4" x 6 3/4"
Shipping Weight	85 lbs

### Colors/Finishes:

- White

### Warranty:

- Limited lifetime warranty



NOTES: All dimensions are in inches. Illustrations may not be drawn to scale.

#### IMPORTANT:

Dimensions of fixtures are nominal and may vary within the range of tolerances established by ASME standard A 112.19.2 THIS FIXTURE QUALIFIES ACCORDING TO ASME TEST PROCEDURES AS A HIGH EFFICIENCY WATER CLOSET WITH AN AVERAGE CONSUMPTION OF 1.28 gpf (4.8 Lpf) OR LESS.