



# GERBER

www.gerberonline.com

## ULTRA FLUSH™ 1.28 GPF Elongated Toilet

12" Rough-In

### Features:

#### □ HE-21-312

- Vitreous china
- Combination bowl and tank
- Sloan Flushmate pressure vessel
- 12" rough-in
- Pressurized flushing action
- Elongated bowl
- Dual-fed siphon jet action bowl (no splashing)
- 2" fully glazed trapway for effective waste removal
- Front tank lever
- 6 point tank to bowl connection for tank stability
- Sanitary bead for easy cleaning
- Color matched bolt caps included
- Toilet seat not included

### Technical Information:

#### Included Components:

- Combination HE-21-312
- Bowl HE-21-372
- Tank HE-28-380

#### Other Tank Options: (bowl to be purchased separately)

- Tank with Lid Lock HE-28-380-LL
- Tank with Right Hand Lever HE-28-380-97

### Fixtures:

Configuration	two-piece, elongated
Water per Flush	1.28 gpf (4.8 lpf)
Rough-In	12"
Height	28 3/8"
Width	20 1/8"
Depth	30"
Trapway	2"
Large Water Surface	8 7/8" x 6 5/8"
Shipping Weight	90 lbs

### Optional Accessories: (to be purchased separately)

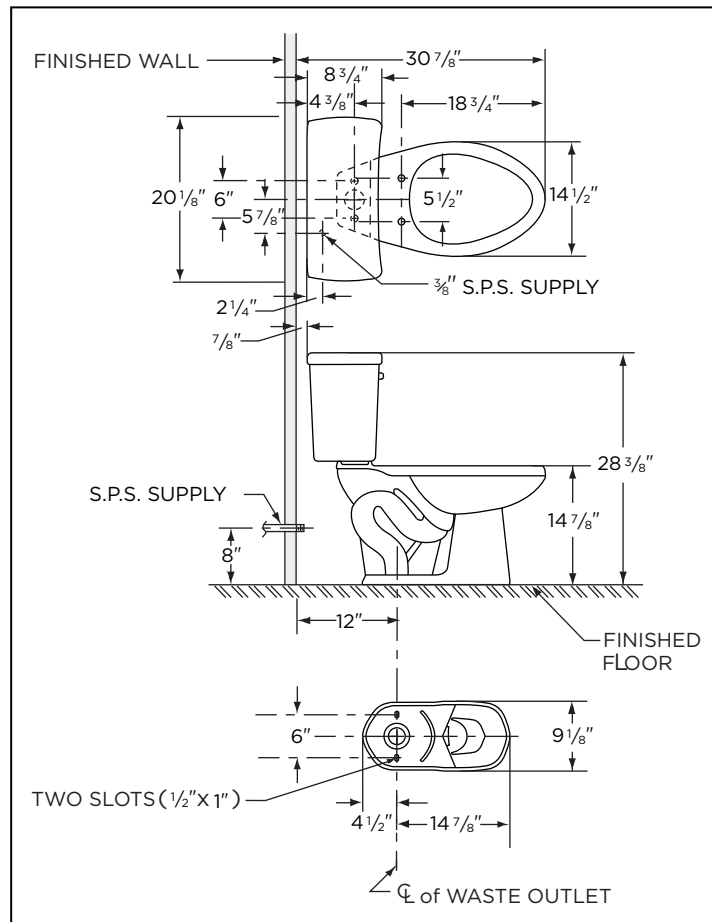
Soft Close Toilet Seat	99-213
------------------------	--------

### Colors/Finishes:

- White
- Other: Refer to Price Book for additional colors/finishes

### Warranty:

- Limited lifetime warranty



NOTES: All dimensions are in inches. Illustrations may not be drawn to scale.

#### IMPORTANT:

Dimensions of fixtures are nominal and may vary within the range of tolerances established by ASME standard A 112.19.2 THIS FIXTURE QUALIFIES ACCORDING TO ASME TEST PROCEDURES AS A HIGH EFFICIENCY WATER CLOSET WITH AN AVERAGE CONSUMPTION OF 1.28 gpf (4.8 Lpf) OR LESS.