

PRESSURE LITE® TOILET K-3519

Features

- Vitreous china
- Elongated bowl
- Equipped with Sloan FLUSHMATE® – Sloan® Valve Company
- Polished chrome trip lever
- Less seat and supply
- 12" (305 mm) rough-in
- 1.0 gpf (3.8 lpf)
- 2-1/4" (57 mm) glazed trapway
- 11-1/2" (292 mm) x 9-1/2" (241 mm) water area
- 30-1/8" (765 mm) x 21-1/4" (540 mm) x 31-1/4" (794 mm)

ADA CSA B651 OBC



Codes/Standards Applicable

Specified model meets or exceeds the following:

- ADA
- ICC/ANSI A117.1
- CSA B651
- OBC
- ASME A112.19.2/CSA B45.1
- EPA WaterSense®

Colors/Finishes

- 0: White
- CP: Polished Chrome
- PB: Vibrant® Polished Brass
- Other: Refer to Price Book for additional colors/finishes

Specified Model

Model	Description	Trip Lever	Colors/Finishes	
K-3519	Pressure Lite toilet (shown)	left-hand	<input type="checkbox"/> 0	<input type="checkbox"/> Other _____
K-3519-RA	Pressure Lite toilet	right-hand	<input type="checkbox"/> 0	<input type="checkbox"/> Other _____
K-3519-T	Pressure Lite toilet with tank cover locks	left-hand	<input type="checkbox"/> 0	<input type="checkbox"/> Other _____
K-3519-TR	Pressure Lite toilet with tank cover locks	right-hand	<input type="checkbox"/> 0	<input type="checkbox"/> Other _____
Recommended Accessories				
K-4650	Lustra™ elongated open-front toilet seat — for Accessibility compliance		<input type="checkbox"/> 0	<input type="checkbox"/> Other _____

Product Specification

The elongated bowl toilet shall be made of vitreous china. Toilet shall be 30-1/8" (765 mm) in length, 21-1/4" (540 mm) in width, and 31-1/4" (794 mm) in height with an 11-1/2" (292 mm) by 9-1/2" (241 mm) water area. Toilet shall be 12" (305 mm) rough-in. Toilet shall feature 2-1/4" (57 mm) glazed trapway. Toilet shall be less seat and supply. Toilet shall be 1.0 gpf (3.8 lpf). Toilet shall be equipped with Sloan FLUSHMATE® - Sloan® Valve Company. Toilet shall include a polished chrome trip lever. Elongated bowl toilet shall be Kohler Model K-3519-_____ or K-3519-_____.

HIGHLINE®

Recommended Accessories

K-4664	Brevia™ seat with cover	<input type="checkbox"/> 0		<input type="checkbox"/> Other_____	
K-7637	Angle supply with stop – 3/8" NPT		<input type="checkbox"/> CP	<input type="checkbox"/> PB	<input type="checkbox"/> Other_____

Technical Information

Fixture:	
Elongated bowl toilet	two-piece, elongated
Water per flush	1.0 gpf (3.8 lpf)
Passageway	2-1/4" (57 mm)
Water area	11-1/2" (292 mm) x 9-1/2" (241 mm)
Water depth from rim	5-3/4" (146 mm)
Seat post hole centers	5-1/2" (140 mm)
Minimum static pressure required	35 psi (241 kPa)
Maximum static pressure	80 psi (551.6 kPa)

Included components:	
Bowl	K-4304
Tank	K-4484
Tank cover	1036375
Trip lever	K-9481

Installation Notes

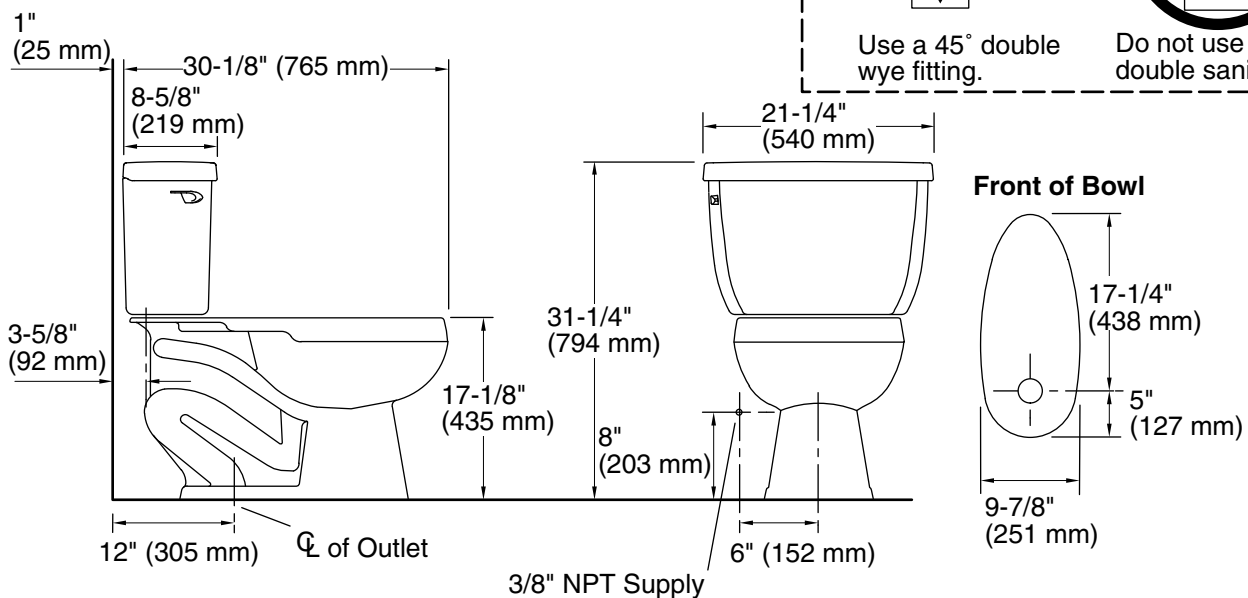
Install this product according to the installation guide.

For back-to-back toilet installations: Use only a 45° double wye fitting.

Will comply with the Americans with Disabilities Act (ADA) when installed per the requirements of the 2010 ADA Standards for Accessible Design, Section 604 Water Closets, of the Act. The Model Plumbing Codes require the installation of elongated open-front toilet seats in public bathrooms.

Will comply with **CSA B651** when installed per Clause 4.3.6 of the standard.

Will comply with **OBC** when installed per Clause 3.8.3.8 and 3.8.3.9.



Product Diagram