

PRESSURE LITE® TOILET K-3531



Features

- Vitreous china
- Elongated bowl
- Equipped with Sloan FLUSHMATE® – Sloan® Valve Company
- Polished chrome trip lever
- Less seat and supply
- 12" (305 mm) rough-in
- 1.0 gpf (3.8 lpf)
- Optional bedpan lugs or tank cover locks
- 11-1/2" (292 mm) x 9-1/2" (241 mm) water area
- 30-3/8" (772 mm) x 21-1/4" (540 mm) x 29-3/4" (756 mm)



Codes/Standards Applicable

Specified model meets or exceeds the following:

- ASME A112.19.2/CSA B45.1
- EPA WaterSense®

Colors/Finishes

- 0: White
- CP: Polished Chrome
- PB: Vibrant® Polished Brass
- Other: Refer to Price Book for additional colors/finishes

Specified Model

Model	Description	Trip Lever	Colors/Finishes	
K-3531	Pressure Lite toilet (shown)	left-hand	<input type="checkbox"/> 0	<input type="checkbox"/> Other _____
K-3531-RA	Pressure Lite toilet	right-hand	<input type="checkbox"/> 0	<input type="checkbox"/> Other _____
K-3531-T	Pressure Lite toilet with tank cover locks	left-hand	<input type="checkbox"/> 0	<input type="checkbox"/> Other _____
K-3531-TR	Pressure Lite toilet with tank cover locks	right-hand	<input type="checkbox"/> 0	<input type="checkbox"/> Other _____
Recommended Accessories				
K-4650	Lustra™ toilet seat with cover		<input type="checkbox"/> 0	<input type="checkbox"/> Other _____
K-7637	Angle supply with stop – 3/8" NPT		<input type="checkbox"/> CP	<input type="checkbox"/> PB <input type="checkbox"/> Other _____

Product Specification

The elongated bowl toilet shall be made of vitreous china. Toilet shall be 30-3/8" (772 mm) in length, 21-1/4" (540 mm) in width, and 29-3/4" (756 mm) in height with an 11-1/2" (292 mm) by 9-1/2" (241 mm) water area. Toilet shall be 12" (305 mm) rough-in and is equipped with Sloan FLUSHMATE® – Sloan® Valve Company. Toilet shall be 1.0 gpf (3.8 lpf). Toilet shall include polished chrome trip lever. Toilet shall be less seat and supply. Toilet shall feature optional bedpan lugs or tank cover locks. Elongated bowl toilet shall be Kohler Model K-3531-_____ or K-3531-_____-_____.

WELLWORTH®

Technical Information

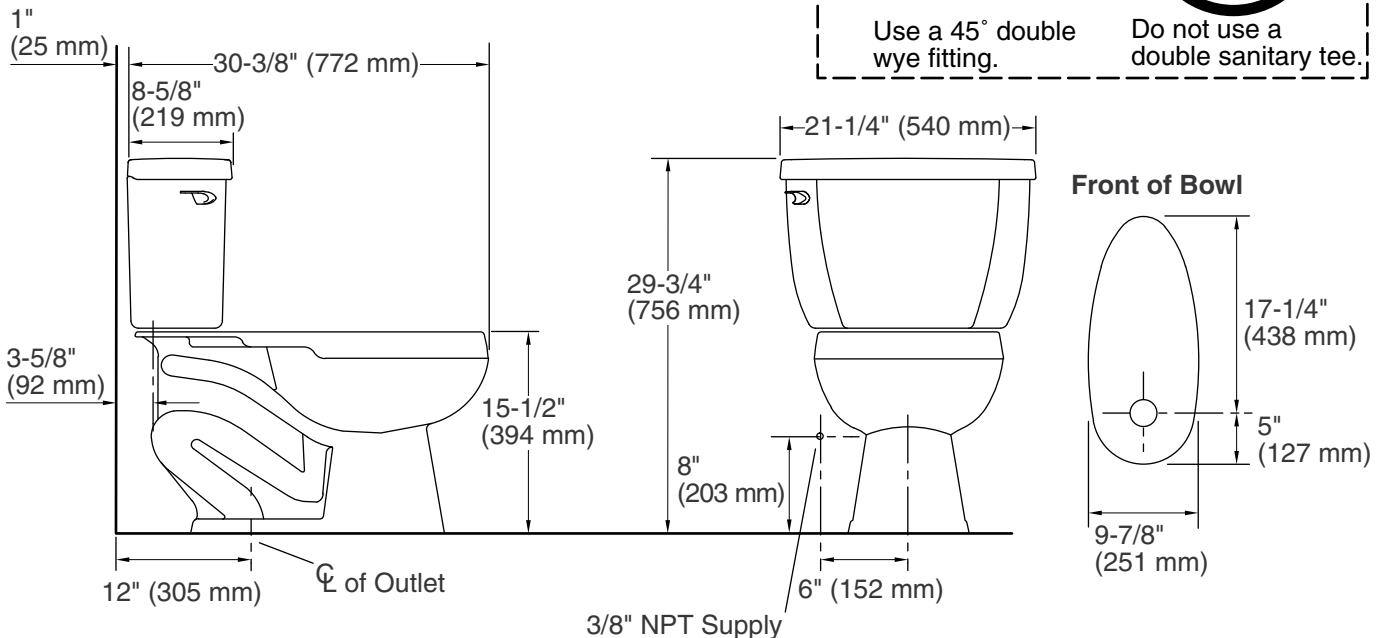
Fixture:	
Configuration	two-piece, elongated
Water per flush	1.0 gpf (3.8 lpf)
Passageway	2-1/4" (57 mm)
Water area	11-1/2" (292 mm) x 9-1/2" (241 mm)
Water depth from rim	5-5/8" (143 mm)
Seat post hole centers	5-1/2" (140 mm)
Minimum static pressure required	35 psi (241 kPa)
Maximum static pressure	80 psi (551.6 kPa)

Included components*:	
Bowl	K-4303
Tank	K-4484
Tank cover	1036375
Bolt cap accessory pack	52048
Trip lever, left-hand	K-9481-L OR
Trip lever, right-hand	K-9481-R
*Equipped with Sloan FLUSHMATE® - Sloan® Valve Company	

Installation Notes

Install this product according to the installation guide.

For back-to-back toilet installations: Use only a 45° double wye fitting.



Product Diagram