

PF1600 Series

High Efficiency Toilet Pressure Assist - 1.0 gpf



Product Features

- Two-piece vitreous china
- 1.0 gpf HET, High Efficiency Toilet with Pressure Assist
- Equipped with Sloan Flushmate IV System
- 2" fully glazed trapway
- Siphon Jet Technology
- EPA WaterSense Certified
- Meets ANSI ASME A112.19.14-2006 and ASME A112.19.2M
- Large 13-1/2" x 11" water surface
- Available in round front, elongated and ADA
- Close coupled tank with cover
- Available in white only
- Seat and supply not included
- Uses 35% less water than standard (1.6 gpf) low consumption toilets

Codes and Standards

Meets strict flushing performance guidelines established by the EPA (Environmental Protection Agency) WaterSense program. Leadership in Energy and Environmental Design (LEED) Compliant. Los Angeles Department of Water and Power (LADWP) Compliant.

- ADA
- IAPMO/UPC
- ASME A112.19.2
- CSA B45

Specified Model

PF1600PAWH	1.0 gpf round front bowl White (WH)
PF1601PAWH	1.0 gpf elongated bowl White (WH)
PF1603PAWH	1.0 gpf ADA bowl White (WH)
PF1612PAWH	1.0 gpf pressure assist tank white with chrome trip lever (WH)
PF1612PARWH	1.0 gpf pressure assist tank white with RH trip lever (WH)
PF1612PALWH	1.0 gpf Pressure Assist tank with locking lid (WH)



PF1601PAWH

Technical Information

Fixture:	
Configuration	two-piece toilet
Water per flush	1.0 gpf/3.8 lpf
Trapway	2" fully glazed
Water area	13-1/2" X 11"
Seat post hole centers	5-1/2"

Available Parts

FC100500K	Replacement cartridge for 1612 tank
FBL100504K	Lower supply kit
FBU100505K	Upper supply kit
FAP300116-L4	Flush handle and rod for LH tank
FAP300117-R4	Flush handle and rod for RH tank
PF1612PALIDWH	Replacement lid



Meets the Americans with Disabilities Act guidelines and ANSI A117.1 requirements for accessible and usable building facilities; when installed so top of seat height from finished floor is 17"-19".
Flushmate service # 1-800-533-3450

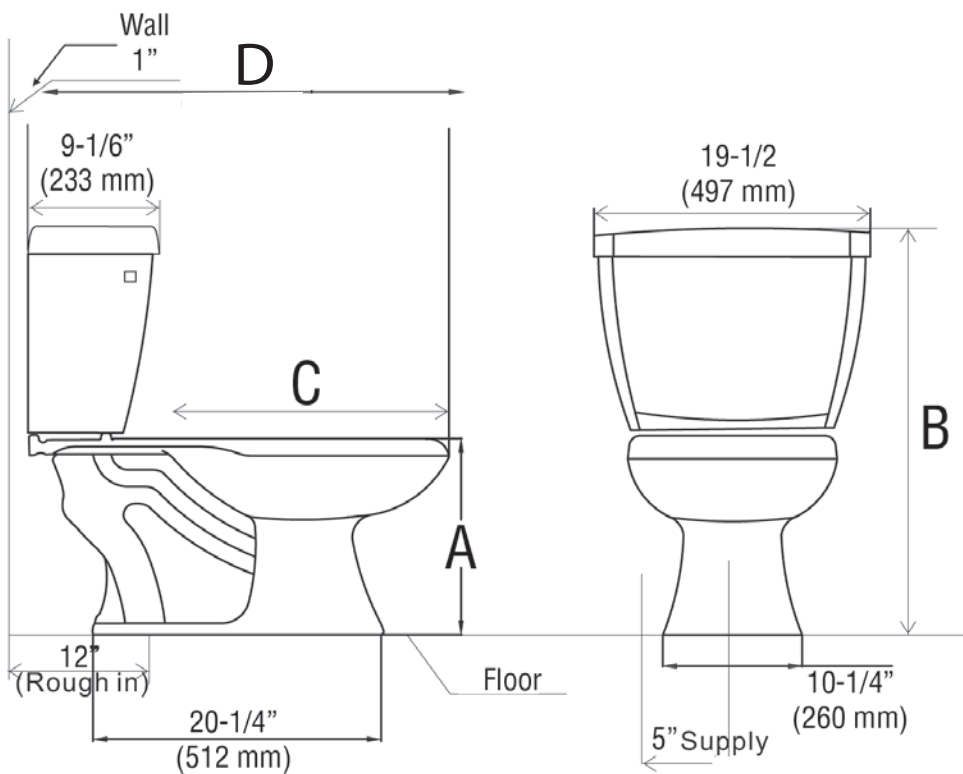
PF1600 Series

High Efficiency Toilet Pressure Assist - 1.0 gpf



Product Specification:

The combination toilet shall be made of vitreous china. Toilet shall be 1.0 gpf (3.8 lpf). Toilet shall have 2" (5.1 cm) glazed trapway. Toilet shall be less seat and supply.



	RF	EL	ADA
A	14-1/2"	14-1/2"	17"
B	28-5/16"	28-5/16"	31-1/8"
C	16-1/2"	18-1/2"	18-1/2"
D	28-3/4"	30-3/4"	18-1/2"

Warranty and Codes:

These products come complete with installation, operating, care and maintenance instructions. All PROFLO fixtures carry a 1-year limited warranty. These products meet or exceed ASME/ANSI A112.19.2M. In an effort to continually improve our products, FEI will make design changes from time to time. We reserve the right to ship newly designed product to fill any order unless we agree in writing to do otherwise.

