





With Western the water savings are significant and maintenance is minimal.

Our customers tell us it's "The Best Flushing Toilet in America!"

- Sloan FLUSHMATE® 503 Series pressure assisted technology.
- Sani-Glazed™ trapway gives years of sanitary, trouble free use.
- Elongated bowl meets ADA  requirements.
- Full size water surface and seal for a clean and sanitary bowl.
- Ergonomic rounded tank design, front mount polished chrome handle.
- Seat not included.
- Available in 1.28 and 1gpf.
- All Western products are IAPMO tested and meet or exceed  standards.
- Certified by IAPMO to meet or exceed the EPA WaterSense standards.



* FLUSHMATE is a registered copyright of Sloan Valve Company.

For more information please contact us toll-free:

877-WPWORKS (979-6757)

US Sales and Service

Phone 562.229.0910 • Fax 562.229.0930

www.westernpottery.com • Email: info@westernpottery.com

14405 Best Avenue • Norwalk, California 90650

B472PF

PHYSICAL PROPERTIES

Model: **B472PF**

Water Surface: **9.50" x 10.75"**

Water Seal: **3.54"** (

Trapway Ball Pass: **2.25"**

Trapway Diameter: **3.00"**

Water Consumption: **1.28 GPF / 4.08 LPF**
1 GPF / 3.8 LPF

Shipping Weight: **57.76 lbs bowl**
32.19 lbs tank

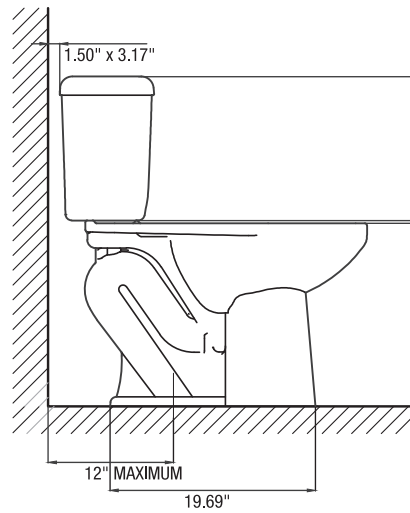
Shipping Cube: **8.56 ft³ bowl**
1.91 ft³ tank

Minimum Rough-in: **11.00"**

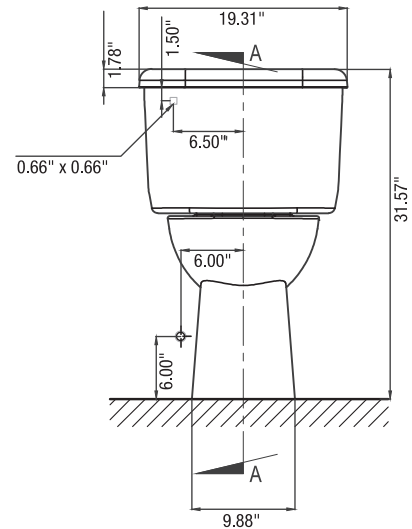
Fill Valve: **See note**
Sloan Flushmate info

Flush Valve: **Flushmate F-IV 504-S**

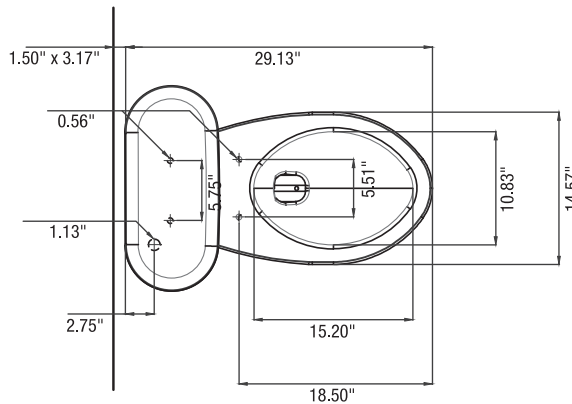
Tank Lever: **505**



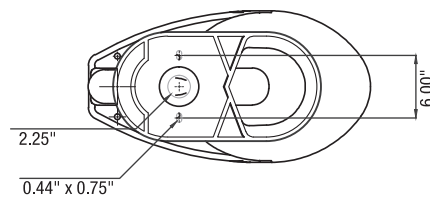
SIDE VIEW



FRONT VIEW



TOP VIEW



BOTTOM VIEW

Dimensions in inches and millimeters

Dimensions are subject to a variance of +/- 5%



For more information please contact us toll-free:

877-WPWORKS (979-6757)

www.westernpottery.com • Email: info@westernpottery.com