

4-1/4" Vertical Rough-In

Features:

20-310

- Vitreous China
- Low Consumption 1.6gpf (6.0 LPF)
- Elongated Back Outlet Bowl
- 4-1/4" Vertical Rough-In
- Pressure Vessel Inside
- Dual fed siphon jets
- Fully glazed, 2" trapway
- Non-Sweating insulated tank
- Chrome, Metal Front Tank Lever
- 4 Color Matched Bolt Caps Included
- Toilet seat not included

Technical Information:

Included Components:

- Combination 20-310
- Bowl UF-21-374
- Tank 28-380

Other Tank Options: (bowl to be purchased separately)

- Tank with Lid Locking Device 28-380-LL
- Tank with Right Hand Lever 28-380-97

Fixtures:

Configuration	Two-piece, Elongated, Back Outlet Toilet
Water per Flush	1.6 gpf (6.0 lpf)
Vertical Rough-In	4 1/4"
Height	28 3/4"
Width	20 13/16"
Depth	30 5/16"
Trapway	2"
Large Water Surface	8 11/16" x 6 5/16"
Product Weight	99 lbs

Accessories: (to be purchased separately)

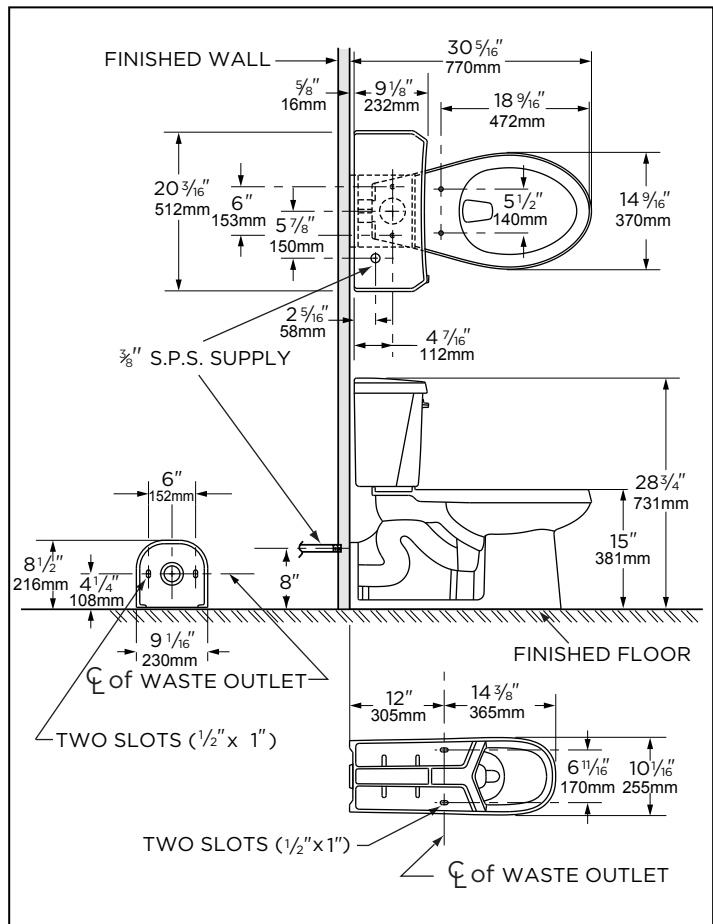
Soft Closed Toilet Seat	99-213
-------------------------	--------

Colors:

- White
- Other: Refer to Price Book for additional colors

Warranty:

- Limited Lifetime Warranty - see website for detailed warranty information



NOTES: All dimensions are in inches and millimeters. Illustrations may not be drawn to scale.

IMPORTANT:

Dimensions of fixtures are nominal and may vary within the range of tolerances established by ASME standard A 112.19.2 THIS FIXTURE QUALIFIES ACCORDING TO ASME TEST PROCEDURES AS A LOW CONSUMPTION WATER CLOSET WITH AN AVERAGE CONSUMPTION OF 1.6gpf (6 Lpf) OR LESS.