

12" Rough-In

**Features:**

**□ 20-312**

- Vitreous china
- Low Consumption 1.6 GPF (6.0 LPF)
- Elongated Bowl
- 12" Rough-In
- Pressure Vessel Inside
- Dual fed siphon jets
- Fully glazed, 2" trapway
- Non-Sweating insulated tank
- Chrome, Metal Front Tank Lever
- 2 Color Matched Bolt Caps Included
- Toilet seat not included



**Technical Information:**

**Included Components:**

- Combination 20-312
- Bowl UF-21-372
- Tank 28-380

**Other Tank Options:** (bowl to be purchased separately)

- Tank with Lid Locking Device 28-380-LL
- Tank with Right Hand Lever 28-380-97

**Fixtures:**

Configuration	Two-piece, Elongated Toilet
Water per Flush	1.6 gpf (6.0 lpf)
Rough-In	12"
Height	28 13/16"
Width	20 3/16"
Depth	29 3/4"
Trapway	2"
Large Water Surface	8 11/16" x 6 5/16"
Shipping Weight	91.7 lbs

**Accessories:** (to be purchased separately)

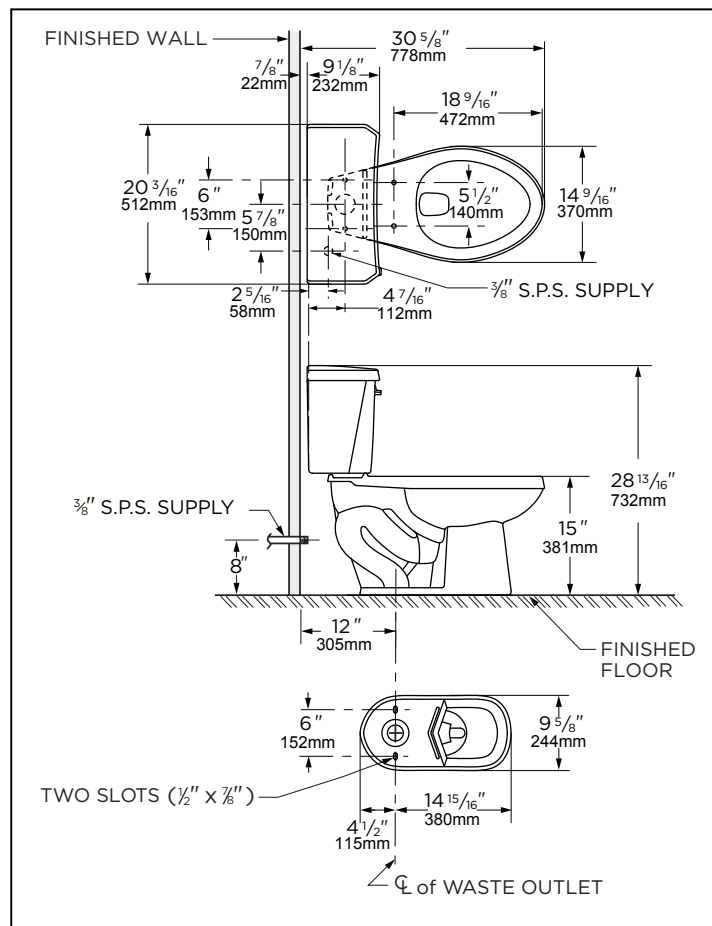
Soft Closed Toilet Seat	99-213
-------------------------	--------

**Colors:**

- White
- Other: Refer to Price Book for additional colors

**Warranty:**

- Limited Lifetime Warranty - see website for detailed warranty information



**NOTES:** All dimensions are in inches and millimeters. Illustrations may not be drawn to scale.

**IMPORTANT:** Dimensions of fixtures are nominal and may vary within the range of tolerances established by ASME standard A 112.19.2 THIS FIXTURE QUALIFIES ACCORDING TO ASME TEST PROCEDURES AS A LOW CONSUMPTION WATER CLOSET WITH AN AVERAGE CONSUMPTION OF 1.6gpf (6 Lpf) OR LESS.