

**Features:**

**HE-20-325**

- Vitreous China
- High Efficiency 1.28 GPF (4.8 LPF)
- 17" High Elongated Back Outlet Bowl
- 4-1/4" Vertical Rough-In
- Pressure Vessel Inside
- Dual fed siphon jets
- Fully glazed, 2" trapway
- Non-sweating insulated tank
- Chrome, metal front tank lever
- 4 Color matched bolt caps included
- Toilet seat not included

4-1/4" Vertical Rough-In



**Technical Information:**

**Included Components:**

- Combination HE-20-325
- Bowl UF-21-375
- Tank HE-28-380

**Other Tank Options: (bowl to be purchased separately)**

- Tank with Lid Locking Device HE-28-380-LL
- Tank with Right Hand Lever HE-28-380-97

**Fixtures:**

Configuration	Two-piece ErgoHeight, Elongated Back Outlet Toilet
Water per Flush	1.28 gpf (4.8 lpf)
Vertical Rough-In	4 1/4"
Height	30 3/16"
Width	20"
Depth	30 5/16"
Trapway	2"
Large Water Surface	8 11/16" x 6 5/16"
Product Weight	99.9 lbs

**Accessories: (to be purchased separately)**

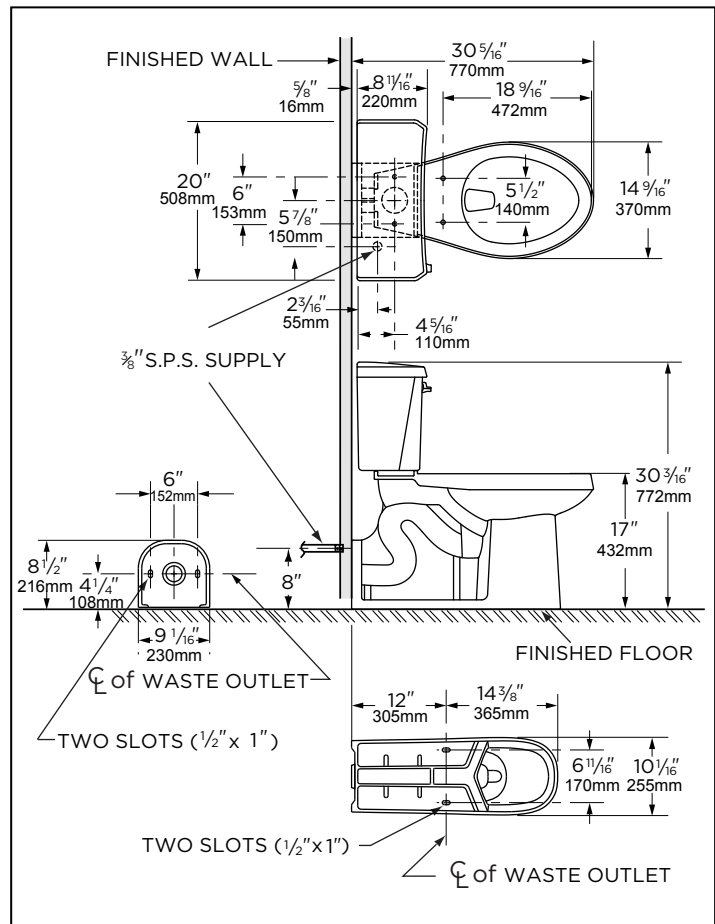
Soft Closed Toilet Seat	99-213
-------------------------	--------

**Colors:**

- White
- Other: Refer to Price Book for additional colors

**Warranty:**

- Limited Lifetime Warranty - see website for detailed warranty information



**NOTES:** All dimensions are in inches and millimeters. Illustrations may not be drawn to scale.

**IMPORTANT:**

Dimensions of fixtures are nominal and may vary within the range of tolerances established by ASME standard A 112.19.2 THIS FIXTURE QUALIFIES ACCORDING TO ASME TEST PROCEDURES AS A HIGH-EFFICIENCY WATER CLOSET WITH AN AVERAGE CONSUMPTION OF 1.28 gpf (4.8 Lpf) OR LESS.