

# 146-123 Quantum®

Round Front, Vitreous China, Two-Piece Toilet



## Features

- High performance, pressure-assist Flushmate III™ flushing technology
- 1.6 gpf / 6.0 lpf low water consumption
- Round front bowl
- 12" rough-in
- 2-1/8" glazed trapway
- Trip levers
  - Model 45 left hand, chrome-plated metal
  - Model 49 right hand, chrome-plated metal
  - Model 47 push button actuator, chrome-plated plastic
- The Mansfield® limited lifetime warranty
- Available in White and Standard Colors: Biscuit, Bone



Round Front



Model 146-123  
Toilet seat not included

## Components

| Model # | Description   | Codes/Standards |
|---------|---|-----------------|
| 146-123 | Round front, pressure-assist toilet. Less toilet seat and supply. Specify color.                                |                 |
| 146     | Round front, pressure-assist bowl only. Less toilet seat. Specify color.  |                 |
| 123     | Pressure-assist tank and cover only with left hand, chrome-plated metal trip lever. Less supply. Specify color. |                 |
| 123RH   | Same as model 123, except with right hand chrome-plated, metal trip lever.                                      |                 |
| 122     | Same as model 123, except with chrome-plated plastic push button actuator.                                      |                 |




**MADE IN USA**

# 146-123 Quantum®

Round Front, Vitreous China, Two-Piece Toilet

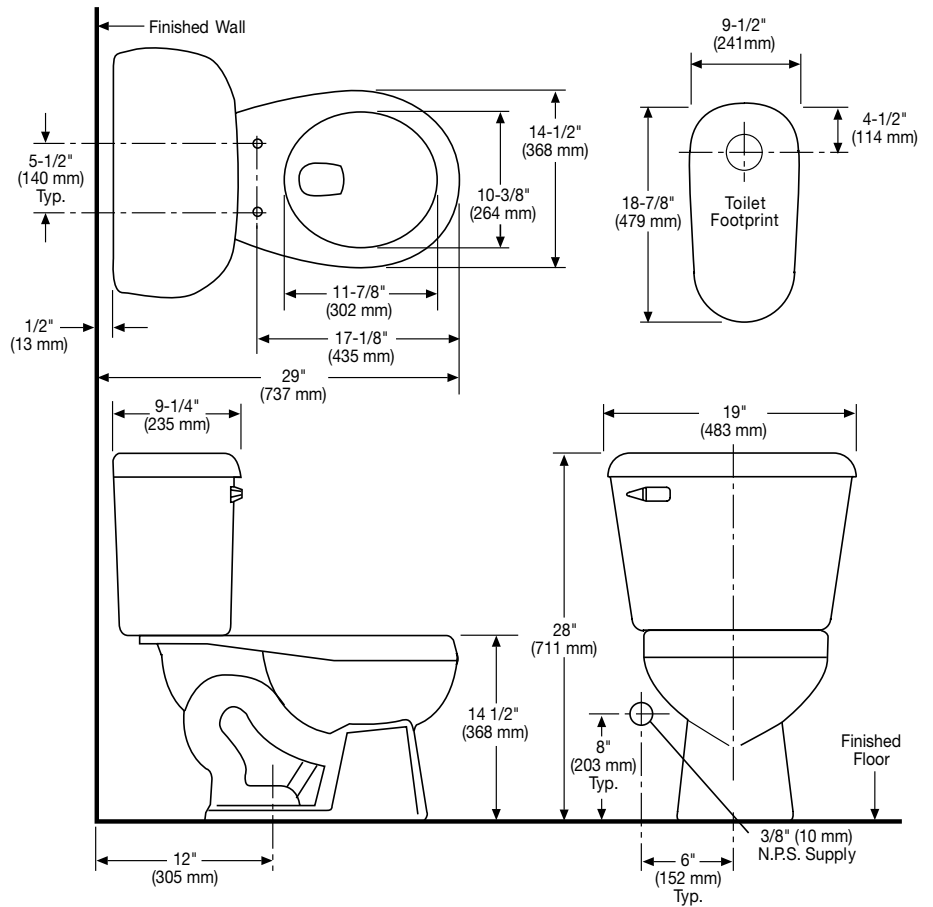


## Specifications

| Model # | Description  | Codes/Standards   |
|---------|--|---|
| 146-123 | Elongated front (1.6 gpf/6.0 lpf) two-piece toilet |  |

| Specification        | Description                           | Specification   | Description                             |
|----------------------|---------------------------------------|-----------------|---|
| Material             | Vitreous China                        | Trap Diameter   | 2-1/8"                                  |
| Water Pressure Range | 35 to 80 PSI                          | Trap Seal       | 2-3/4"                                  |
| Flush System         | Flushmate III™ pressure assist vessel | Shipping Weight | Model 146 - 51 lbs. (23 kg)             |
| Water Usage          | 1.6 gpf / 6.0 lpf                     |                 | Model 122/123/123RH - 43 lbs. (19.5 kg) |
| Water Surface Area   | 9-3/4" X 11-1/2"                      | Warranty        | Vitreous China - Limited Lifetime       |
| Rough-in             | 12"                                   |                 | Tank Trim - Limited One Year            |

## Technical Information



See our complete line of acrylic and vitreous china bathroom fixtures, plastic tank trim and plumbing products.

These dimensions are nominal and subject to change without notice.

Fixture performance and specifications meet or exceed ASME A112.19.2-2008/CSA B45.1-08 standards, and other state and local codes.



**MADE IN USA**