

## PF1600 Series

# Rear Outlet Toilet Pressure Assist - 1.0 gpf



### Product Features

- Two-piece vitreous china
- Floor mount back outlet bowl
- Available in Round Front, Elongated and ADA floor mount back outlet bowls
- 1.0 gpf HET, High Efficiency Toilet with Pressure Assist
- Equipped with Sloan Flushmate IV System
- 2" fully glazed trapway
- Siphon Jet Technology
- EPA WaterSense Certified
- Large 12-1/4" x 9-5/8" water surface
- 4-1/4" rough-in
- Close coupled tank with cover
- Available in white only
- Seat and supply not included
- Uses 35% less water than standard (1.6 gpf) low consumption toilets



PF1605PAWH/PF1612PAWH

### Available Parts

- FC100500K** Replacement cartridge for 1612 tank  
**FBL100504K** Lower supply kit  
**FBU100505K** Upper supply kit  
**FE205288** Tank to Bowl Gasket  
**PF129837** Flush handle and rod for RH tank  
**PF129838** Flush handle and rod for LH tank  
**PF1612PALIDWH** Replacement lid

Technical Information	
Configuration	two-piece toilet
Water per flush	1.0 gpf/3.8 lpf
Trapway	2" fully glazed
Water area	12-1/4" X 9-5/8"
Seat post hole centers	5 1/2"

Specified Model	Model Description	Color Finishes
* PF1604PAWH	1.0 gpf round back outlet bowl	○ White (WH)
* PF1605PAWH	1.0 gpf elongated back outlet bowl	○ White (WH)
PF1606PAWH	1.0 gpf ADA height back outlet bowl	○ White (WH)
PF1612PAWH	1.0 gpf Pressure Assist tank white	○ White (WH)
PF1612PALWH	1.0 gpf Pressure Assist tank with locking lid	○ White (WH)
PF1612PARWH	1.0 gpf Pressure Assist tank white with Rh trip lever	○ White (WH)

\* = complies with CSA B651

= complies with ADA & CSA B651

### Codes and Standards

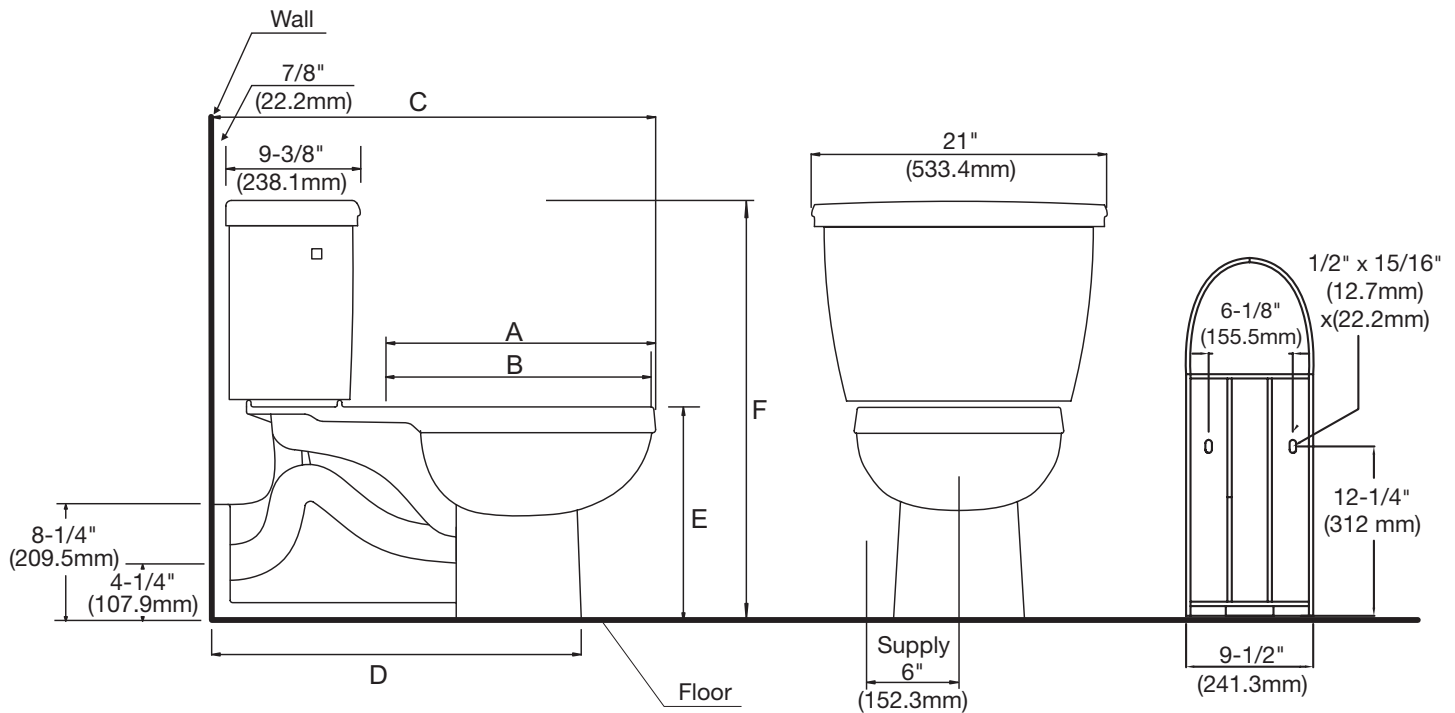
Meets strict flushing performance guidelines established by the EPA (Environmental Protection Agency) WaterSense program. Leadership in Energy and Environmental Design (LEED) Compliant. Los Angeles Department of Water and Power (LADWP) Compliant. IAPMO/UPC, ASME A112.19.2M, CSA B651



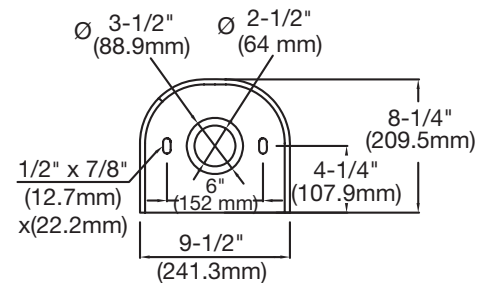
# Rear Outlet Toilet Pressure Assist - 1.0 gpf

**Product Specification:**

The combination toilet shall be made of vitreous china. Toilet shall be 1.0 gpf (3.8 lpf). Toilet shall have 2" (5.1 cm) glazed trapway. Toilet shall be less seat and supply. Toilet shall be 4-1/4" (10.8 cm) Rough-in.



	PF1604	PF1605	PF1606
<b>A</b>	16-3/4" (425.4mm)	18-3/4" (477mm)	18-3/4" (477mm)
<b>B</b>	16-3/8" (415.9mm)	18-3/8" (466.7mm)	18-3/8" (466.7mm)
<b>C</b>	29" (736mm)	31-1/8" (790.6mm)	31-1/8" (790.6mm)
<b>D</b>	25-1/4" (641.3mm)	26" (660mm)	26-1/8" (663.6mm)
<b>E</b>	15-1/8" (384.2mm)	15" (381mm)	17-1/4" (438.1mm)
<b>F</b>	29-7/8" (758.8mm)	29-7/8" (758.2mm)	31-7/8" (809.6mm)



**Warranty and Codes:**

These products come complete with installation, operating, care and maintenance instructions. All PROFLO fixtures carry a 1- year limited warranty. These products meet or exceed ASME/ANSI A112.19.2M. In an effort to continually improve our products, FEI will make design changes from time to time. We reserve the right to ship newly designed product to fill any order unless we agree in writing to do otherwise.

